

## Excellent Integrated System Limited

Stocking Distributor

Click to view price, real time Inventory, Delivery & Lifecycle Information:

[Bel Fuse Inc.](#)  
[0817-1G1T-21-F](#)

For any questions, you can email us directly:  
[sales@integrated-circuit.com](mailto:sales@integrated-circuit.com)



THE INFORMATION CONTAINED HEREIN IS CONSIDERED "PROPRIETARY" TO BEL FUSE INC. AND SHALL NOT BE COPIED, REPRODUCED OR DISCLOSED WITHOUT THE WRITTEN APPROVAL OF BEL FUSE INC.

LED1 POLARITY			LED2 POLARITY		
PIN 11	PIN 12	COLOR	PIN 9	PIN 10	COLOR
-	+	GREEN	-	+	GREEN

SCHEMATIC

ELECTRICAL CHARACTERISTICS @ 25°C

URNS RATIO

TX 1CT : 1  
 RX 1CT : 1

QCL @ 100kHz/100mVRMS

8mA DC BIAS 350µH MIN.

INS. LOSS

1MHz TO 100MHz -1.1 dB MAX

RET. LOSS (MIN)

1MHz-30MHz -18 dB  
 30MHz-60MHz -18+20LOG(F/30MHz) dB  
 60MHz-80MHz -12 dB

CROSS TALK (TX - RX)

500kHz - 100 MHz -30 dB MIN

CM TO CM REJ

100kHz - 100 MHz -30 dB MIN

CM TO DM REJ

100kHz - 100 MHz -40 dB MIN

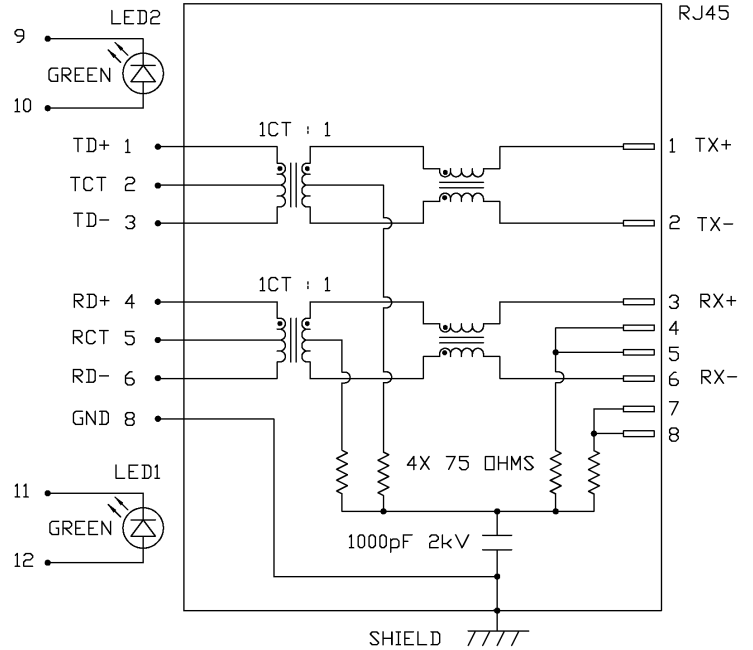
HIPOT (Isolation Voltage):

1500 Vrms

LED 1 & LED 2

VF (FORWARD VOLTAGE) IF=20mA GREEN 2.2V TYP.

λD (DOMINANT WAVELENGTH) IF=20mA GREEN 565nm TYP.



ORIGINATED BY CHUNG	DATE 03-06-06	TITLE staggered pin MagJack®	PART NO. / DRAWING NO. 08171G1T21-F	STANDARD DIM. TOL. IN INCH .X .XX .XXX	[ ] METRIC DIM. AS REFERENCE UNIT : INCH [mm] SCALE : N/A	REV. : A SIZE : A4 PAGE : 2	COMPONENTS OF A CONNECTED PLANET
DRAWN BY DE	DATE 03-06-06	TITLE 0817-1G1T-21-F	FILE NAME 08171G1T21-FA.DWG				

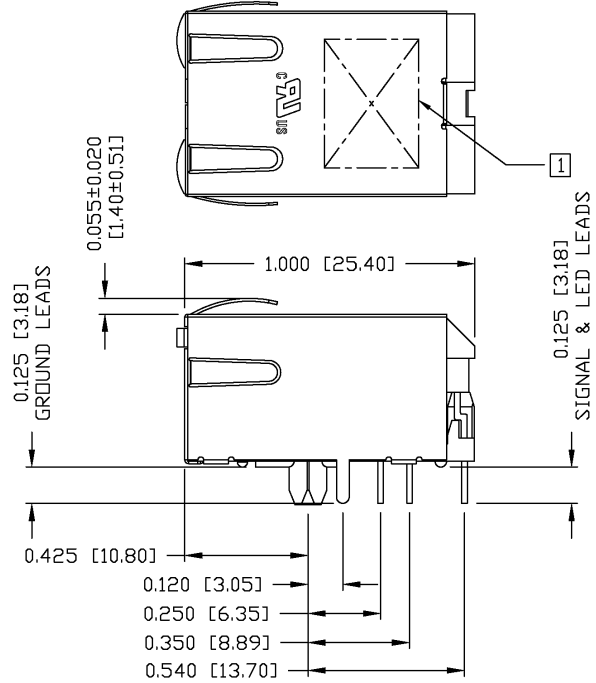
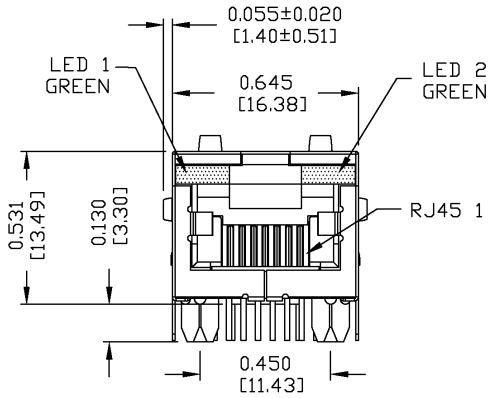
DC002(2)032305

This document is electronically generated. This is a controlled copy if used internally



THE INFORMATION CONTAINED HEREIN IS CONSIDERED "PROPRIETARY" TO BEL FUSE INC. AND SHALL NOT BE COPIED, REPRODUCED OR DISCLOSED WITHOUT THE WRITTEN APPROVAL OF BEL FUSE INC.

MECHANICAL SPECIFICATION



- NOTES:  
 PLASTIC HOUSING: THERMOPLASTIC PBT  
 FLAMMABILITY RATING UL 94V-0  
 CONTACT PLATING: 50 MICRO-INCH HARD GOLD PLATING  
 PINS: TIN-COATED COPPER WIRE, DIA 0.018 INCH.  
 METAL SHIELD: NICKEL PLATED ON COPPER ALLOY.  
 <ALL GROUND LEADS ARE SOLDER DIPPED>

1. MARK PART WITH MFG LOGO, MFG NAME, PART NUMBER, AND DATE CODE.

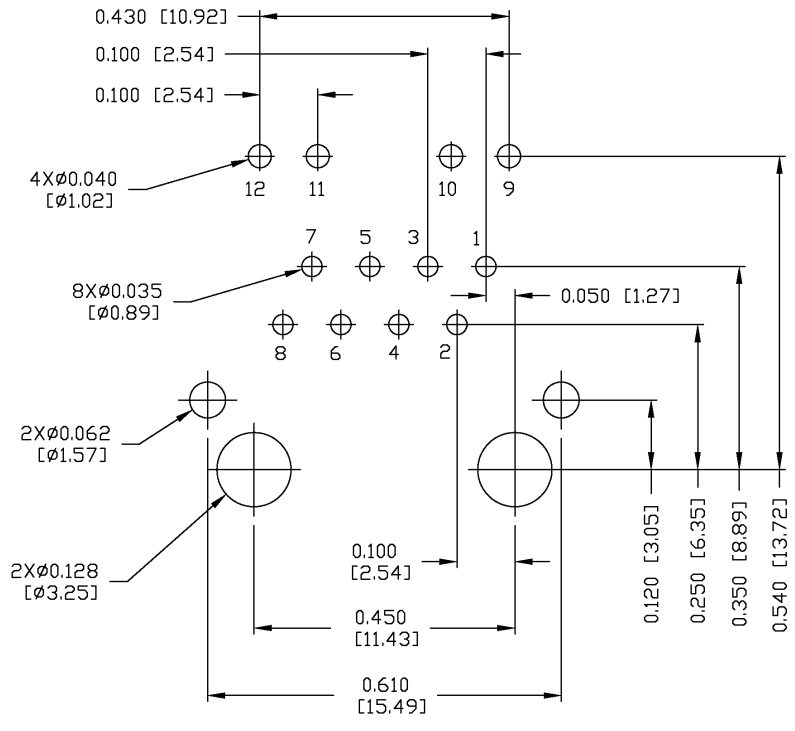
- c us UL RECOGNIZED - FILE #E196366 AND E169987.
- 2. RoHS COMPLIANCE, PER EU DIRECTIVE 2002/95/EC.

ORIGINATED BY QIN	DATE 03-06-06	TITLE staggered pin MagJack®	PART NO. / DRAWING NO. 08171G1T21-F	STANDARD DIM. TOL. IN INCH	[ ] METRIC DIM. AS REFERENCE	 COMPONENTS FOR A CONNECTED PLANET
DRAWN BY TING	DATE 03-06-06		FILE NAME 08171G1T21-FA.DWG	.X .XX .XXX	UNIT : INCH [mm] SCALE : N/A REV. : A SIZE : A4 PAGE : 3	
				±0.010		



THE INFORMATION CONTAINED HEREIN IS CONSIDERED "PROPRIETARY" TO BEL FUSE INC. AND SHALL NOT BE COPIED, REPRODUCED OR DISCLOSED WITHOUT THE WRITTEN APPROVAL OF BEL FUSE INC.

RECOMMENDED PCB FOOTPRINT



ORIGINATED BY QIN	DATE 03-06-06	TITLE staggered pin MagJack® 0817-1G1T-21-F	PART NO. / DRAWING NO. 08171G1T21-F	STANDARD DIM. TOL. IN INCH	[ ] METRIC DIM. AS REFERENCE	
DRAWN BY TING	DATE 03-06-06		FILE NAME 08171G1T21-FA.DWG	.X .XX .XXX	UNIT : INCH [mm]	REV. : A
				SCALE : N/A	SIZE : A4	PAGE : 4



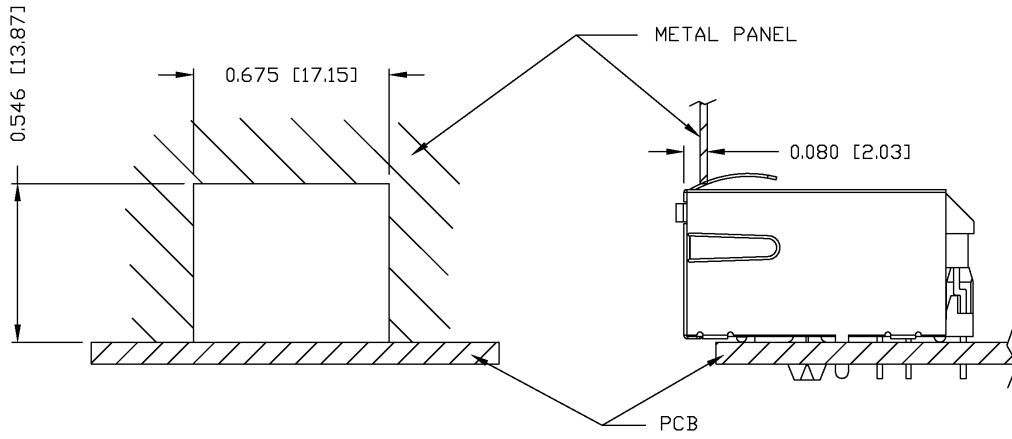
DC002(2)032305

This document is electronically generated. This is a controlled copy if used internally



THE INFORMATION CONTAINED HEREIN IS CONSIDERED "PROPRIETARY" TO BEL FUSE INC. AND SHALL NOT BE COPIED, REPRODUCED OR DISCLOSED WITHOUT THE WRITTEN APPROVAL OF BEL FUSE INC.

SUGGESTED PANEL OPENING



NOTE :

THE DISTANCE OF PANEL INSIDE SURFACE RELATIVE TO FRONT SURFACE OF PART IS ONLY A SUGGESTION. IN CASE THIS DISTANCE IS DIFFERENT, THE REQUIRED PANEL OPENING DIMENSIONS CHANGE ACCORDINGLY.

PACKING INFORMATION

PACKING TRAY : 0200-9999-A2

PACKING QUANTITY : 60 PCS FINISHED GOODS PER TRAY

11 TRAYS (660 PCS FINISHED GOODS) PER CARTON BOX

NOTE : CARDBOARDS ARE PLACED BETWEEN LAYERS OF PACKING TRAY INSIDE CARTON BOX (INCLUDE THE UPPERMOST AND LOWERMOST TRAY)

<b>ORIGINATED BY</b> QIN	<b>DATE</b> 03-06-06	<b>TITLE</b> staggered pin MagJack® 0817-1G1T-21-F	<b>PART NO. / DRAWING NO.</b> 08171G1T21-F	<b>STANDARD DIM. TOL. IN INCH</b>	<b>[ ] METRIC DIM. AS REFERENCE</b>	
<b>DRAWN BY</b> TING	<b>DATE</b> 03-06-06		<b>FILE NAME</b> 08171G1T21-FA.DWG	.X .XX .XXX	±0.004	UNIT : INCH [mm] SCALE : N/A

