

## Excellent Integrated System Limited

Stocking Distributor

Click to view price, real time Inventory, Delivery & Lifecycle Information:

[Bel Fuse Inc.](#)  
[08B0-1B1T-36-F](#)

For any questions, you can email us directly:  
[sales@integrated-circuit.com](mailto:sales@integrated-circuit.com)



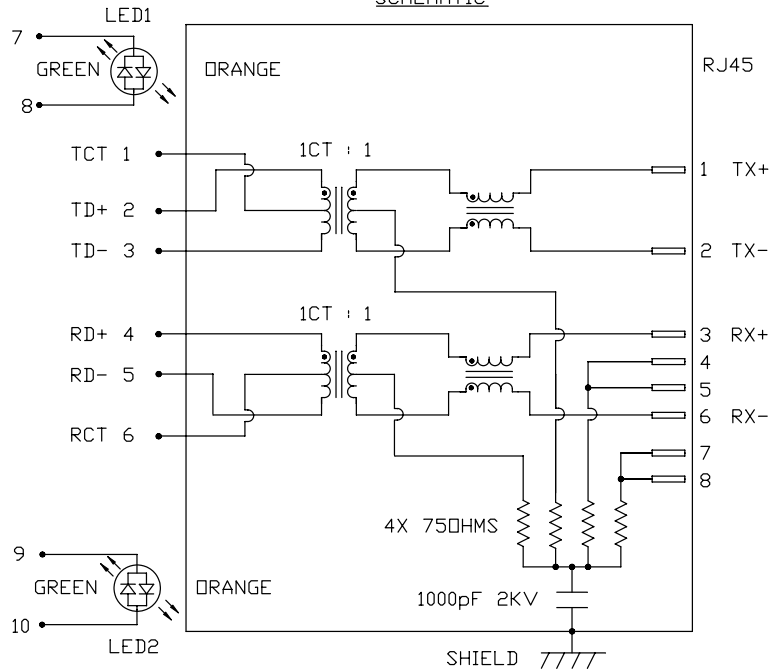
THE INFORMATION CONTAINED HEREIN IS CONSIDERED "PROPRIETARY" TO BEL FUSE INC. AND SHALL NOT BE COPIED, REPRODUCED OR DISCLOSED WITHOUT THE WRITTEN APPROVAL OF BEL FUSE INC.

LED1 POLARITY			LED2 POLARITY		
PIN 7	PIN 8	COLOR	PIN 9	PIN 10	COLOR
-	+	GREEN	-	+	GREEN
+	-	ORANGE	+	-	ORANGE

**ELECTRICAL CHARACTERISTICS @ 25°C**

TRANS RATIO			
TX	1CT : 1		
RX	1CT : 1		
OCL @ 100kHz/100mVRMS			
8mA DC BIAS	350µH MIN.		
INS. LOSS			
1MHZ TO 100MHZ	-1.0 dB MAX		
RET. LOSS (MIN)			
1MHZ-30MHZ	-18 dB		
30MHZ-60MHZ	-18+20LOG(F/30MHZ) dB		
60MHZ-80MHZ	-12 dB		
CROSS TALK (TX - RX)			
500kHz-1MHz	-70 dB MIN		
10 MHz	-50 dB MIN		
30 MHz	-45 dB MIN		
50 MHz	-40 dB MIN		
100 MHz	-35 dB MIN		
CM TO CM REJ			
100kHz-1MHz	-70 dB MIN		
10 MHz	-47 dB MIN		
30 MHz	-42 dB MIN		
60 MHz	-37 dB MIN		
100 MHz	-30 dB MIN		
CM TO DM REJ			
100kHz-1MHz	-70 dB MIN		
10 MHz	-60 dB MIN		
30 MHz	-50 dB MIN		
60 MHz	-45 dB MIN		
100 MHz	-40 dB MIN		
HIPOT (Isolation Voltage):	1500 Vrms		
100% OF PRODUCTION TESTED TO COMPLY WITH IEEE 802.3 ISOLATION REQUIREMENTS LED 1 AND LED 2			
V <sub>F</sub> (FORWARD VOLTAGE) IF=20mA	GREEN	2.2V TYP.	
	ORANGE	2.0V TYP.	
λ <sub>D</sub> (DOMINANT WAVELENGTH) IF=20mA	GREEN	565nm TYP.	
	ORANGE	610nm TYP.	
OPERATING TEMPERATURE:	-40°C TO 85°C		

**SCHEMATIC**

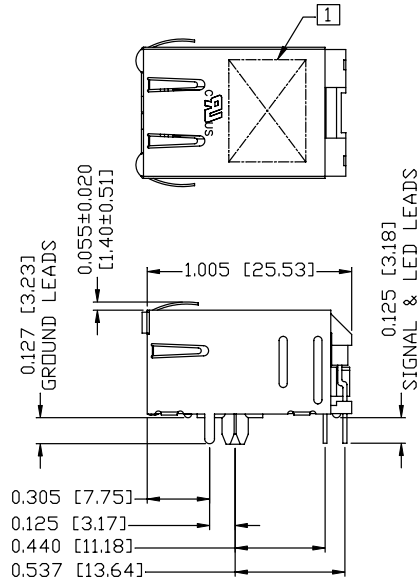
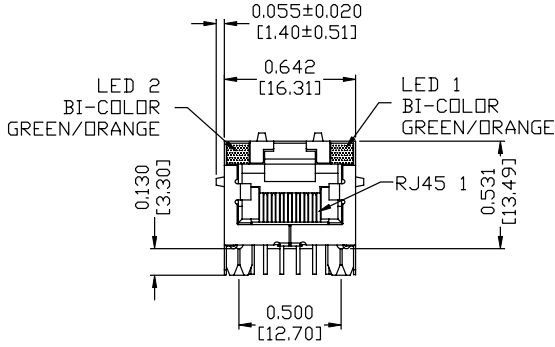


<b>ORIGINATED BY</b>	<b>DATE</b>	<b>TITLE</b>	<b>PART NO. / DRAWING NO.</b>	<b>STANDARD DIM. TOL. IN INCH</b>	<b>[ ] METRIC DIM. AS REFERENCE</b>
CHOW WANGCHUNG	06-22-09	MagJack® (4 Cores, MDIX, CM Termination) Extended temperature 08B0-1B1T-36-F PATENTED	08B01B1T36-F	.X .XX .XXX	UNIT : INCH [mm] REV. : A SCALE : N/A SIZE : A4 PAGE : 2
<b>DRAWN BY</b>	<b>DATE</b>		<b>FILE NAME</b>		
LI YONGFENG	06-22-09		08B01B1T36-F_A.DWG		



THE INFORMATION CONTAINED HEREIN IS CONSIDERED "PROPRIETARY" TO BEL FUSE INC. AND SHALL NOT BE COPIED, REPRODUCED OR DISCLOSED WITHOUT THE WRITTEN APPROVAL OF BEL FUSE INC.

MECHANICAL SPECIFICATION



NOTES:

- PLASTIC HOUSING: THERMOPLASTIC PBT  
FLAMMABILITY RATING UL 94V-0
- CONTACTS PLATING: 15 MICRO-INCH HARD GOLD PLATING
- PINS: TIN-COATED COPPER WIRE, DIA 0.018 INCH.
- METAL SHIELD: PRE-PLATED NICKEL ON COPPER ALLOY.  
(ALL GROUND LEADS ARE SOLDER DIPPED)

① MARK PART WITH MFG LOGO, MFG NAME, PART NUMBER, AND DATE CODE.

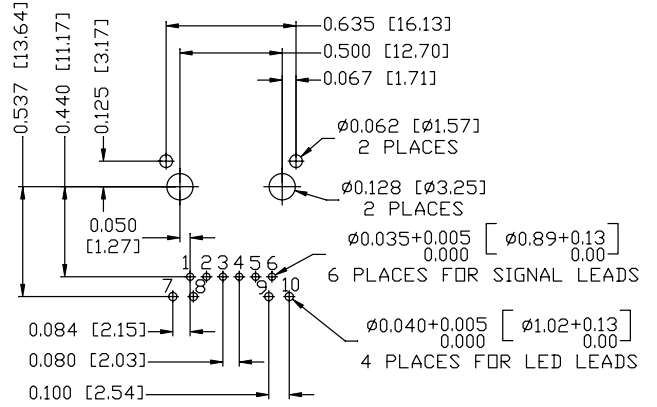
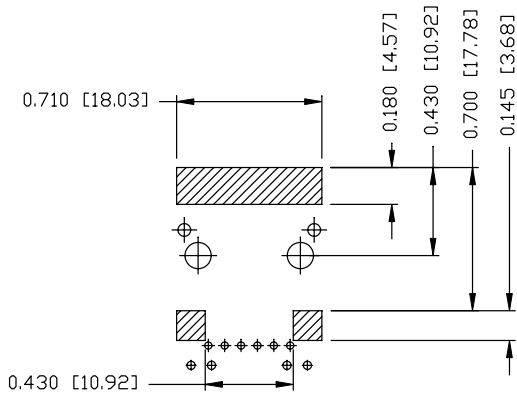
- 2. RoHS COMPLIANCE, PER EU DIRECTIVE 2002/95/EC.
- 3. JACK CAVITY CONFORMS TO FCC RULES AND REGULATIONS.
- 4. THE PRODUCT IS PATENTED, THE PATENT NUMBER IS U.S. PAT. 5,736,910.

<b>ORIGINATED BY</b>	<b>DATE</b>	<b>TITLE</b>	<b>PART NO. / DRAWING NO.</b>	<b>STANDARD DIM. TOL. IN INCH</b>	<b>[ ] METRIC DIM. AS REFERENCE</b>
LIU QIN	06-22-09	MagJack® (4 Cores, MDIX, CM Termination) Extended temperature	08B01B1T36-F	.X .XX .XXX	UNIT : INCH [mm] SCALE : N/A
<b>DRAWN BY</b>	<b>DATE</b>	<b>FILE NAME</b>			REV. : A SIZE : A4 PAGE : 3
XIAN JIAXIN	06-22-09	08B0-1B1T-36-F PATENTED	08B01B1T36-F_A.DWG	±0.010	



THE INFORMATION CONTAINED HEREIN IS CONSIDERED "PROPRIETARY" TO BEL FUSE INC. AND SHALL NOT BE COPIED, REPRODUCED OR DISCLOSED WITHOUT THE WRITTEN APPROVAL OF BEL FUSE INC.

RECOMMENDED PCB FOOTPRINT  
COMPONENT SIDE VIEW



NOTES:

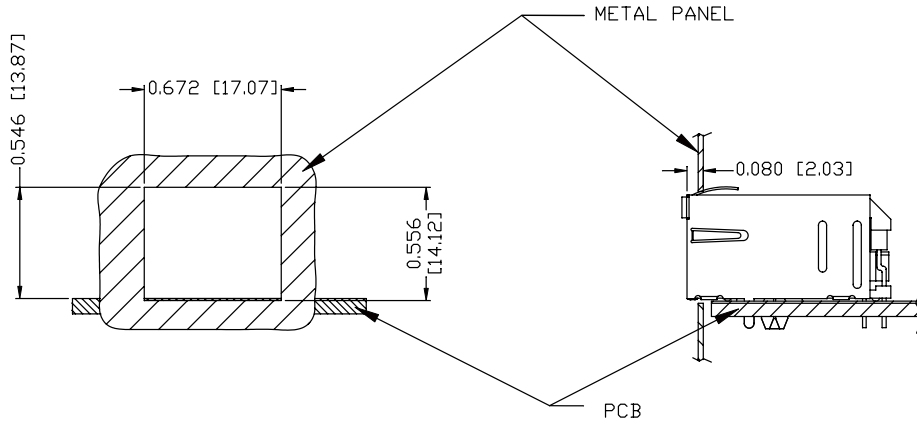
THE SHADED AREA ON THE CUSTOMER BOARD ARE RECOMMENDED TO BE CLEAR OFF ANY VIA HOLE OR COMPONENT PAD.

<b>ORIGINATED BY</b> LIU QIN	<b>DATE</b> 06-22-09	<b>TITLE</b> MagJack® (4 Cores, MDIX, CM Termination) Extended temperature 08B0-1B1T-36-F PATENTED	<b>PART NO. / DRAWING NO.</b> 08B01B1T36-F	<b>STANDARD DIM. TOL. IN INCH</b> .X .XX .XXX ±0.004	<b>[ ] METRIC DIM. AS REFERENCE</b> UNIT : INCH [mm] SCALE : N/A PAGE : 4	<b>REV. : A</b> <b>SIZE : A4</b>	<b>COMPONENTS OR A CONNECTED PLANET</b>
<b>DRAWN BY</b> XIAN JIAXIN	<b>DATE</b> 06-22-09		<b>FILE NAME</b> 08B01B1T36-F_A.DWG				



THE INFORMATION CONTAINED HEREIN IS CONSIDERED "PROPRIETARY" TO BEL FUSE INC. AND SHALL NOT BE COPIED, REPRODUCED OR DISCLOSED WITHOUT THE WRITTEN APPROVAL OF BEL FUSE INC.

SUGGESTED PANEL OPENING



NOTE:

THE DISTANCE OF PANEL INSIDE SURFACE RELATIVE TO FRONT SURFACE OF PART IS ONLY A SUGGESTION. IN CASE THIS DISTANCE IS DIFFERENT, THE REQUIRED PANEL OPENING DIMENSIONS CHANGE ACCORDINGLY.

PACKING INFORMATION

PACKING TRAY : 0200-9999-D4(TOP)

0200-9999-D5(BOTTOM)

PACKING QUANTITY : 60 PCS FINISHED GOODS PER TRAY

11 TRAYS (660 PCS FINISHED GOODS) PER CARTON BOX

NOTE : CARDBOARDS ARE PLACED BETWEEN LAYERS OF PACKING TRAY INSIDE CARTON BOX (INCLUDE THE UPPERMOST AND LOWERMOST TRAY)

<b>ORIGINATED BY</b> LIU QIN	<b>DATE</b> 06-22-09	<b>TITLE</b> MagJack® (4 Cores, MDIX, CM Termination) Extended temperature 08B0-1B1T-36-F PATENTED	<b>PART NO. / DRAWING NO.</b> 08B01B1T36-F	<b>STANDARD DIM. TOL. IN INCH</b> .X .XX .XXX ±0.004	<b>[ ] METRIC DIM. AS REFERENCE</b> UNIT : INCH [mm] SCALE : N/A	<b>REV. : A</b> <b>SIZE : A4</b> <b>PAGE : 5</b>	
---------------------------------	-------------------------	---	---	---	--	--	--

DC002(2)051509

This document is electronically generated. This is a controlled copy if used internally