

## Excellent Integrated System Limited

Stocking Distributor

Click to view price, real time Inventory, Delivery & Lifecycle Information:

[Bel Fuse Inc.](#)  
[S553-5999-37-F](#)

For any questions, you can email us directly:  
[sales@integrated-circuit.com](mailto:sales@integrated-circuit.com)



## 10BASE-T LAN MAGNETICS Single Port Transformer Modules

LM00504

- Transformer turns ratio RX 1CT : 1CT and TX 1CT : 1.41CT
- Single-port modules available with and without common mode chokes
- Utilizes standard packaging
- Low profile, surface mount packaging rated to 225° C peak IR reflow temperature
- Operating temperature 0° to 70° C
- Minimum interwinding breakdown voltage of 1500 Vrms

### ELECTRICAL SPECIFICATIONS AT 25° C

Part Number	Insertion Loss dB max	OCL μH min	Return Loss dB min	Common to Common Mode Rejection dB min		Crosstalk dB min
	1MHz to 10MHz		1MHz to 10MHz	10MHz to 30MHz	30MHz to 100MHz	1MHz to 10MHz
<b>Transformers Only</b>						
A553-0716-00	-1.0	140	-18	---	---	-40
S553-0716-00	-1.0	140	-18	---	---	-40
<b>Transformers and Common Mode Chokes</b>						
S553-5999-08	-1.0	110	-15	-40	-30	-40
S553-5999-37	-1.0	200	-15	-40	-30	-40
S556-5999-26	-1.0	110	-15	-40	-30	-40

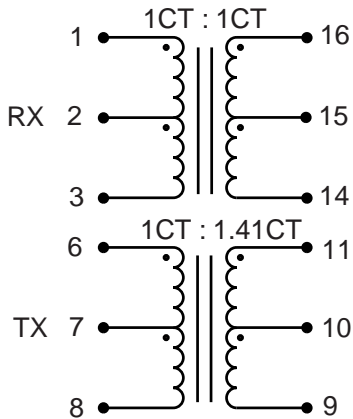


**10BASE-T LAN MAGNETICS**  
**Single Port Transformer Modules**

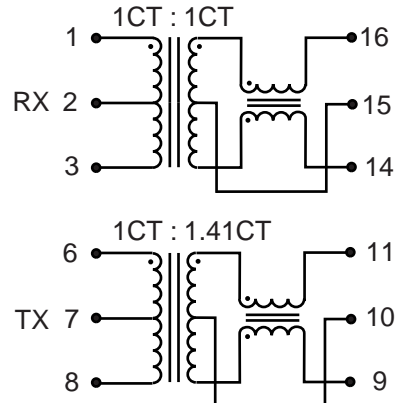
LM00504

**SCHEMATICS**

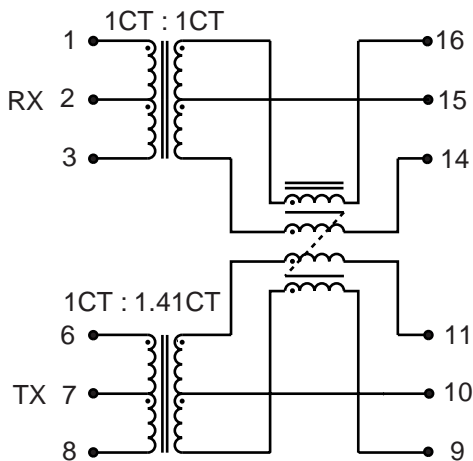
**A553-0716-00**  
**S553-0716-00**



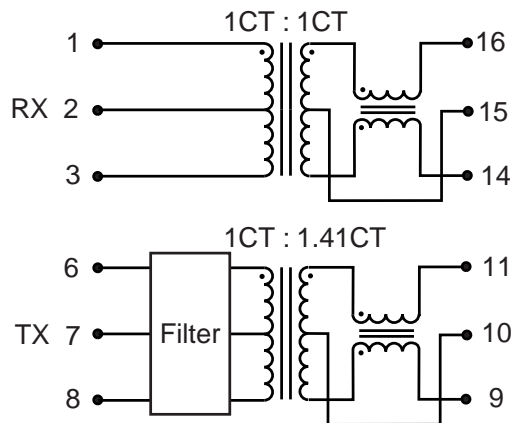
**S553-5999-08**



**S553-5999-37**



**S556-5999-26**



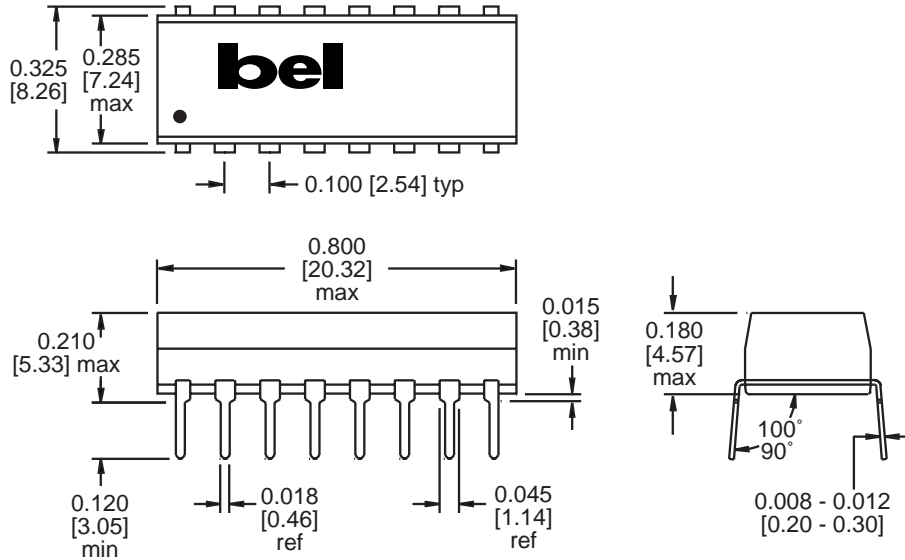


**10BASE-T LAN MAGNETICS**  
**Single Port Transformer Modules**

LM00504

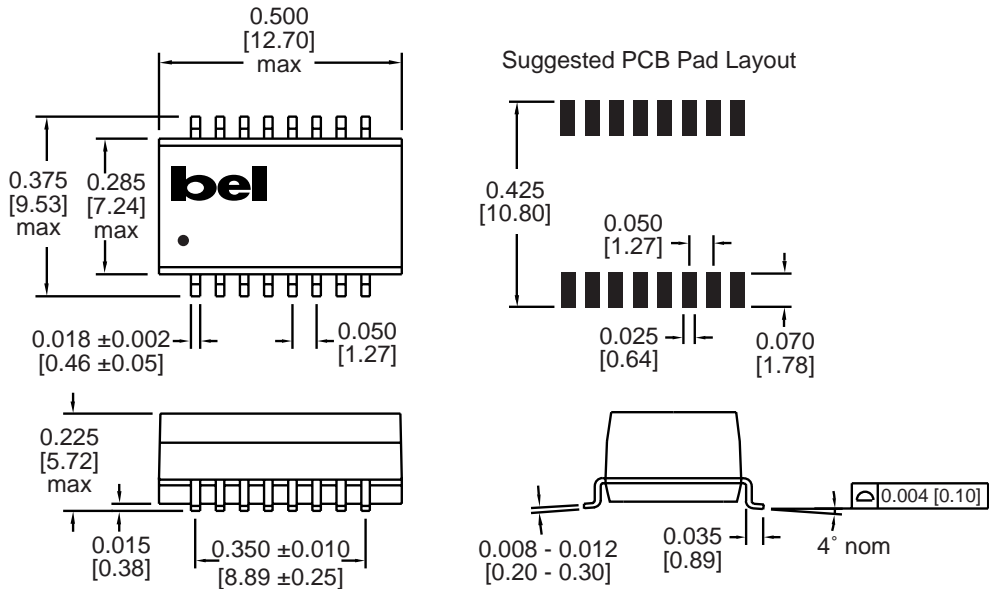
**MECHANICALS**

A553-0716-00



Dimensions are in inches [millimeters].  
 Standard dimension tolerance is  $\pm 0.005$  [0.13] unless otherwise noted.

S553-0716-00  
 S553-5999-08  
 S553-5999-37



Dimensions are in inches [millimeters].  
 Standard dimension tolerance is  $\pm 0.005$  [0.13] unless otherwise noted.

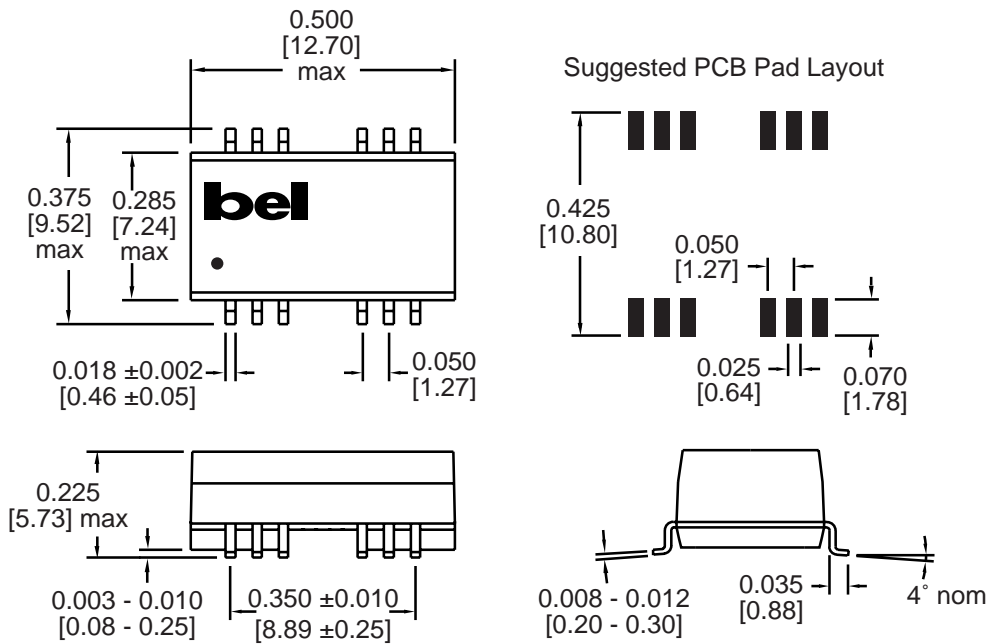


**10BASE-T LAN MAGNETICS**  
**Single Port Transformer Modules**

LM00504

**MECHANICALS**

S556-5999-26



Dimensions are in inches [millimeters].  
 Standard dimension tolerance is ±0.005 [0.13] unless otherwise noted.

©2001 Bel Fuse Inc. Specifications subject to change without notice. 09.01

**CORPORATE**

**Bel Fuse Inc.**  
 206 Van Vorst Street  
 Jersey City, NJ 07302  
 Tel 201-432-0463  
 Fax 201-432-9542  
 www.belfuse.com

**FAR EAST**

**Bel Fuse Ltd.**  
 8F / 8 Luk Hop Street  
 San Po Kong  
 Kowloon, Hong Kong  
 Tel 852-2328-5515  
 Fax 852-2352-3706  
 www.belfuse.com

**EUROPE**

**Bel Fuse Europe Ltd.**  
 Preston Technology Management Centre  
 Marsh Lane, Suite G7, Preston  
 Lancashire, PR1 8UD, U.K.  
 Tel 44-1772-556601  
 Fax 44-1772-888366  
 www.belfuse.com