

Excellent Integrated System Limited

Stocking Distributor

Click to view price, real time Inventory, Delivery & Lifecycle Information:

[Bel Fuse Inc.](#)
[S553-5999-76-F](#)

For any questions, you can email us directly:
sales@integrated-circuit.com



10BASE-T LAN MAGNETICS Quad Transformer Modules

LM00500

- Transformer turns ratio RX 1 : 1 and TX 1CT : 1CT
- Filterless quad, four-port designs with common footprint and pinouts
- Optimized for use with stackable RJ-45 connectors
- Designs utilize standard 40 pin SMD packaging
- Low profile, surface mount packaging rated to 225° C peak IR reflow temperature
- Quad design offers best space, performance and cost efficiency
- Operating temperature 0° to 70° C
- Minimum interwinding breakdown voltage of 1500 Vrms

ELECTRICAL SPECIFICATIONS AT 25° C

Part Number	Insertion Loss dB max	Return Loss dB min	Common to Common Mode Rejection dB min				Crosstalk dB min	
	1MHz to 10MHz	5MHz to 10MHz	5MHz to 10MHz	50MHz	100MHz	200MHz	1MHz to 10MHz	5MHz to 10MHz
Transformers Only								
S553-5999-18	-1.0	-20	-50	-35	-25	-20	---	-50
S553-5999-26	-1.0	-18	---	---	---	---	-40	---
S553-5999-53	-1.0	-18	-40	---	-30	---	-40	---
Transformers and Common Mode Chokes								
S553-5999-24	-1.0	-20	-50	-35	-25	-20	---	-50
S553-5999-32	-1.0	-18	-40	---	-30	---	-40	---
S553-5999-39	-1.0	-20	-50	-35	-25	-20	---	-50
S553-5999-76	-1.0	-18	-40	---	-30	---	-40	---

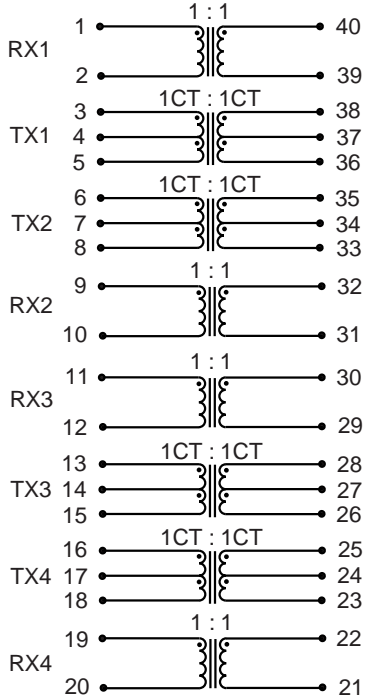


10BASE-T LAN MAGNETICS
Quad Transformer Modules

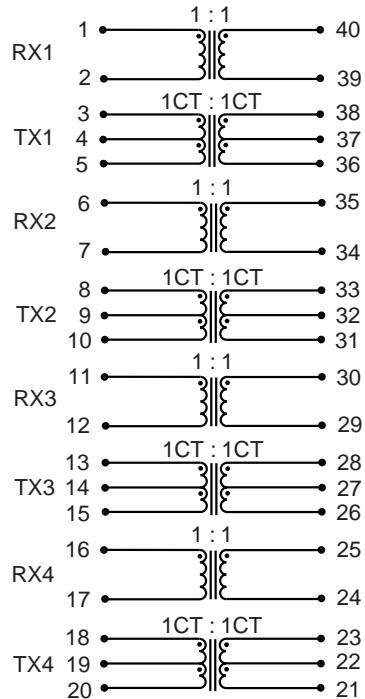
LM00500

SCHEMATICS

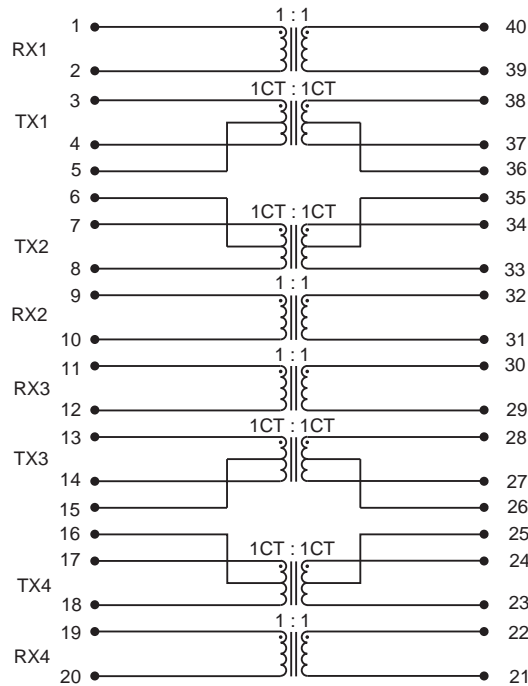
S553-5999-18



S553-5999-26



S553-5999-53



©2001 Bel Fuse Inc. Specifications subject to change without notice. 09.01

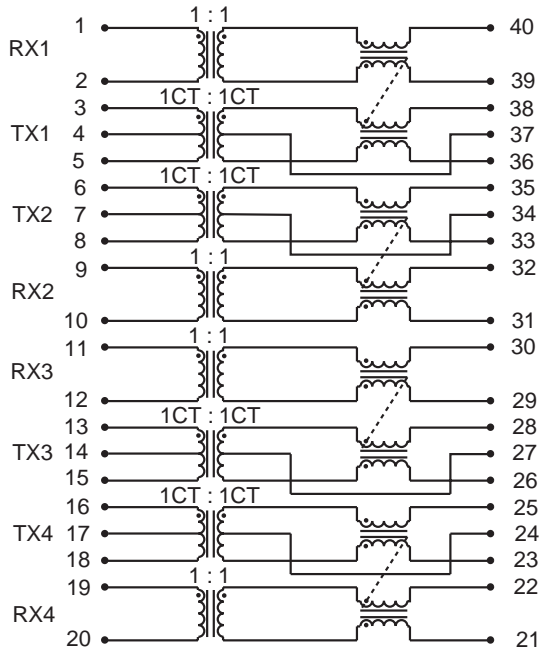


10BASE-T LAN MAGNETICS
Quad Transformer Modules

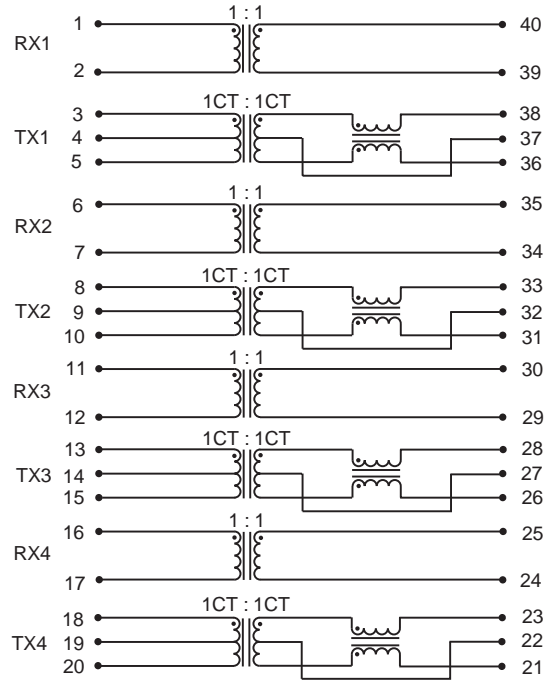
LM00500

SCHEMATICS

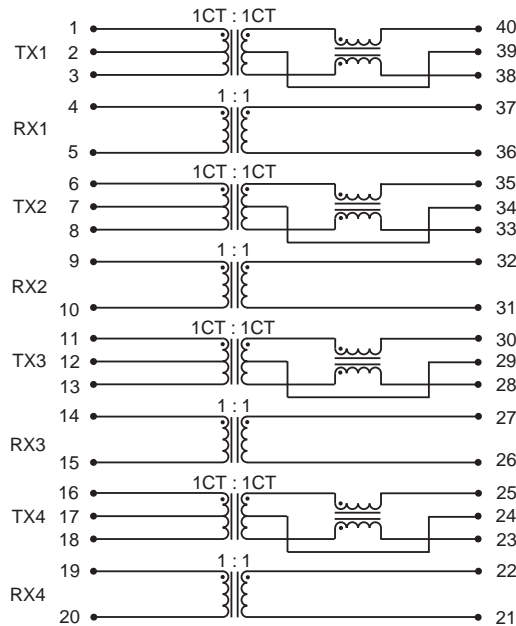
S553-5999-24
S553-5999-39



S553-5999-32



S553-5999-76



©2001 Bel Fuse Inc. Specifications subject to change without notice. 09.01

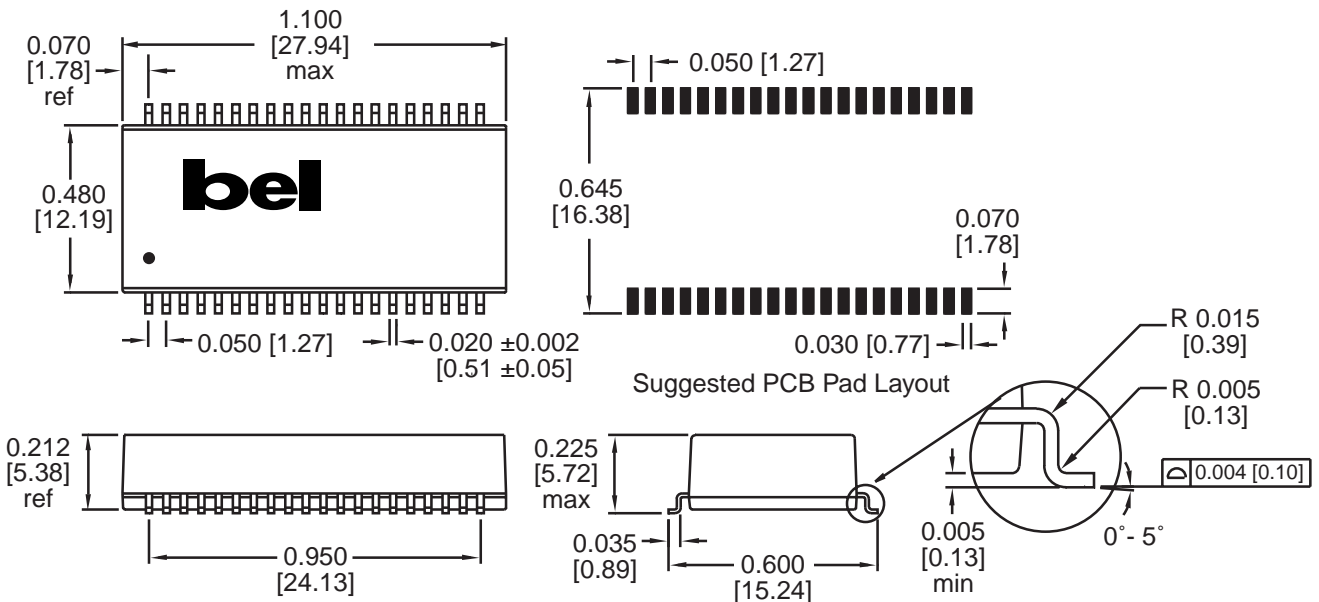


10BASE-T LAN MAGNETICS
Quad Transformer Modules

LM00500

MECHANICAL

- S553-5999-18
- S553-5999-24
- S553-5999-26
- S553-5999-32
- S553-5999-39
- S553-5999-53
- S553-5999-76



Dimensions are in inches [millimeters].
 Standard dimension tolerance is ± 0.005 [0.13] unless otherwise noted.

©2001 Bel Fuse Inc. Specifications subject to change without notice. 09.01

CORPORATE

Bel Fuse Inc.
 206 Van Vorst Street
 Jersey City, NJ 07302
 Tel 201-432-0463
 Fax 201-432-9542
 www.belfuse.com

FAR EAST

Bel Fuse Ltd.
 8F / 8 Luk Hop Street
 San Po Kong
 Kowloon, Hong Kong
 Tel 852-2328-5515
 Fax 852-2352-3706
 www.belfuse.com

EUROPE

Bel Fuse Europe Ltd.
 Preston Technology Management Centre
 Marsh Lane, Suite G7, Preston
 Lancashire, PR1 8UD, U.K.
 Tel 44-1772-556601
 Fax 44-1772-888366
 www.belfuse.com