

Excellent Integrated System Limited

Stocking Distributor

Click to view price, real time Inventory, Delivery & Lifecycle Information:

[Bel Fuse Inc.](#)
[S558-5999-42-F](#)

For any questions, you can email us directly:
sales@integrated-circuit.com



10/100BASE-T LAN MAGNETICS Single Port Transformer Modules

LM00408

- Meets all IEEE 802.3 standards including 350µH with 8mA bias
- Operating temperature 0° to 70° C
- Low profile, surface mount packaging rated to 225° C peak IR reflow temperature
- Designed for use with a variety of 10/100 transceiver ICs
- Minimum interwinding breakdown voltage of 1500 Vrms

ELECTRICAL SPECIFICATIONS AT 25° C

Part Number	Insertion Loss dB max	Return Loss dB min				Common to Differential Mode Rejection dB min	Common to Common Mode Rejection dB min	Crosstalk dB min			
		100kHz to 100MHz	100kHz to 30MHz	30MHz to 60MHz	60MHz to 80MHz			100kHz to 100MHz	1MHz	30MHz	60MHz
S558-5999-30	-1.0	-20	-19	-13	-40	-30	-65	-55	-45	-35	
S558-5999-36	-1.1	-20	-19	-13	-40	-30	-60	-50	-40	-35	
S558-5999-39	-1.0	-20	-19	-13	-40	-30	-65	-55	-45	-35	
S558-5999-42	-1.0	-20	-19	-12	-40	-30	-60	-50	-40	-35	
S558-5999-46	-1.0	-20	-19	-13	-40	-30	-65	-55	-45	-35	
S558-5999-90	-1.0	-20	-19	-12	-40	-30	-60	-50	-40	-35	
S558-5999-95	-1.0	-20	-19	-13	-40	-30	-65	-55	-45	-35	
S558-5999-K7	-1.0	-18	-19	-12	-40	-30	-65	-55	-43	-38	

Part Number	Turns Ratio	
	TX	RX
S558-5999-30	1CT : 1CT	1CT : 1CT
S558-5999-36	1 : 2 : 2CT	1CT : 1CT
S558-5999-39	1CT : 1CT	1CT : 1CT
S558-5999-42	1CT : 1CT	1CT : 1CT

Part Number	Turns Ratio	
	TX	RX
S558-5999-46	1CT : 1CT	1CT : 1CT
S558-5999-90	1CT : 1CT	1CT : 1CT
S558-5999-95	1CT : 1CT	1CT : 1CT
S558-5999-K7	1CT : 1CT	1CT : 1CT

©2001 Bel Fuse Inc. Specifications subject to change without notice. 09.01



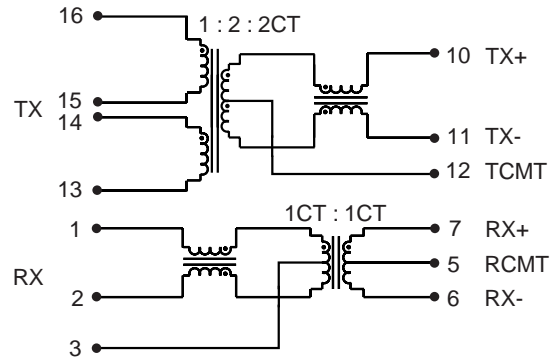
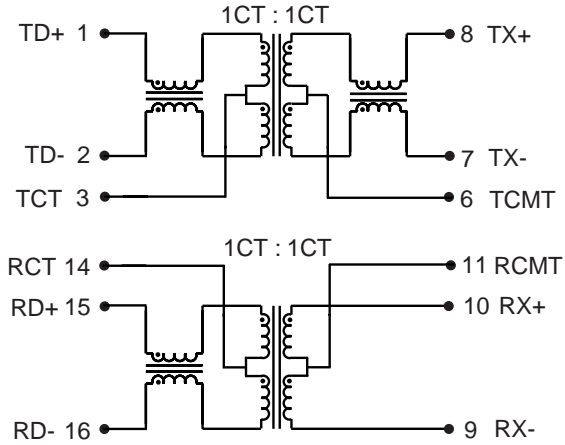
10/100BASE-T LAN MAGNETICS
Single Port Transformer Modules

LM00408

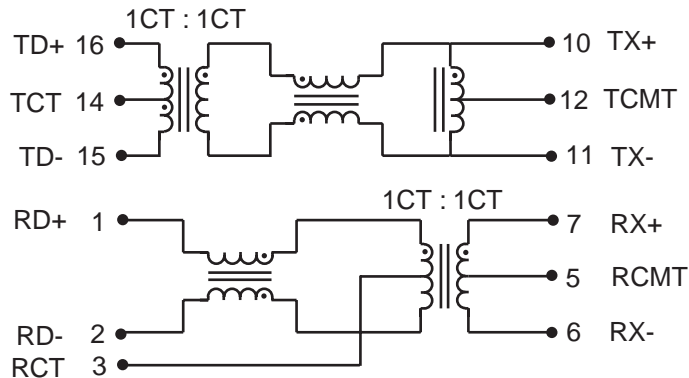
SCHEMATICS

S558-5999-30
S558-5999-42

S558-5999-36



S558-5999-39
S558-5999-46
S558-5999-95
S558-5999-K7



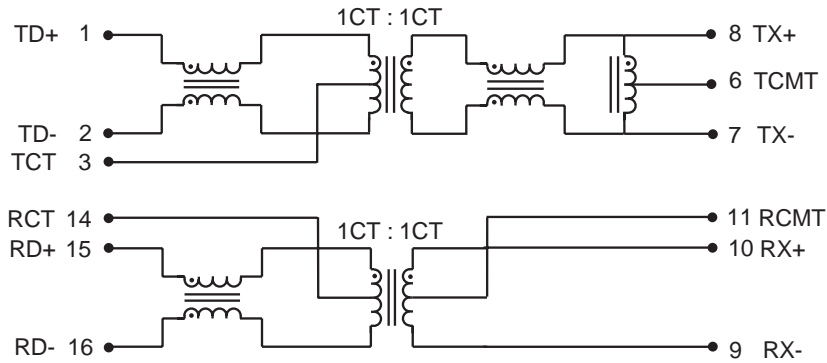


10/100BASE-T LAN MAGNETICS
Single Port Transformer Modules

LM00408

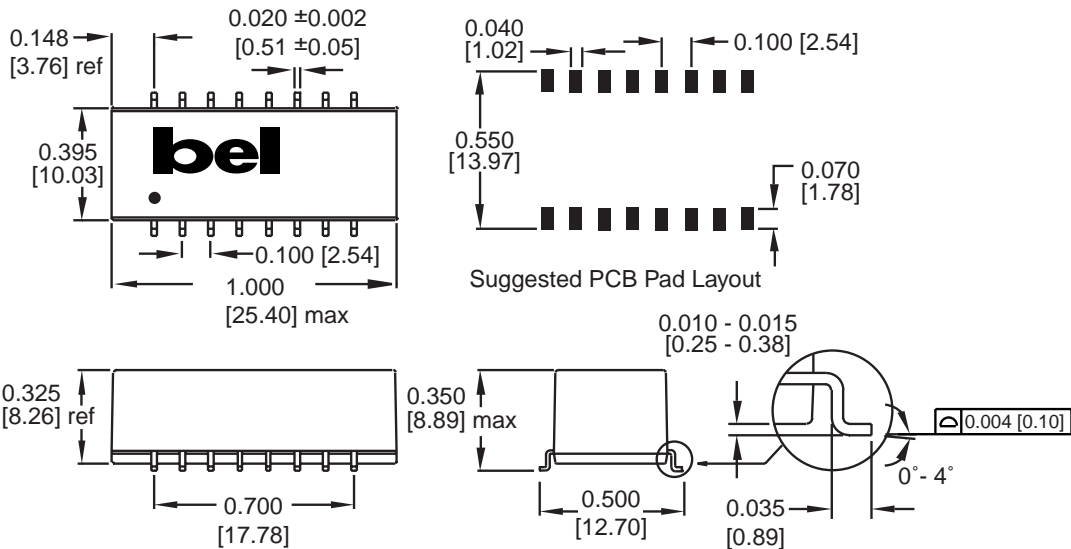
SCHEMATICS

S558-5999-90



MECHANICALS

S558-5999-30
S558-5999-36
S558-5999-39



Dimensions are in inches [millimeters].
 Standard dimension tolerance is ± 0.005 [0.13] unless otherwise noted.

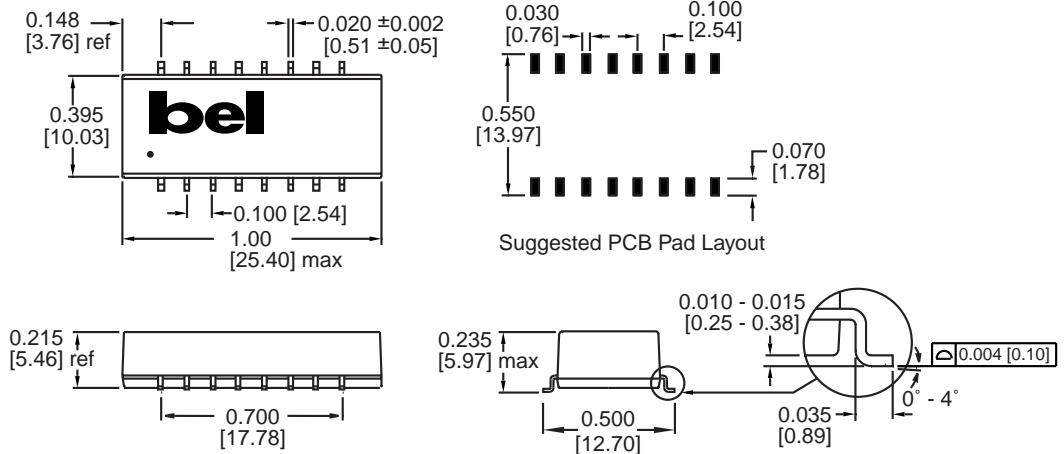


10/100BASE-T LAN MAGNETICS
Single Port Transformer Modules

LM00408

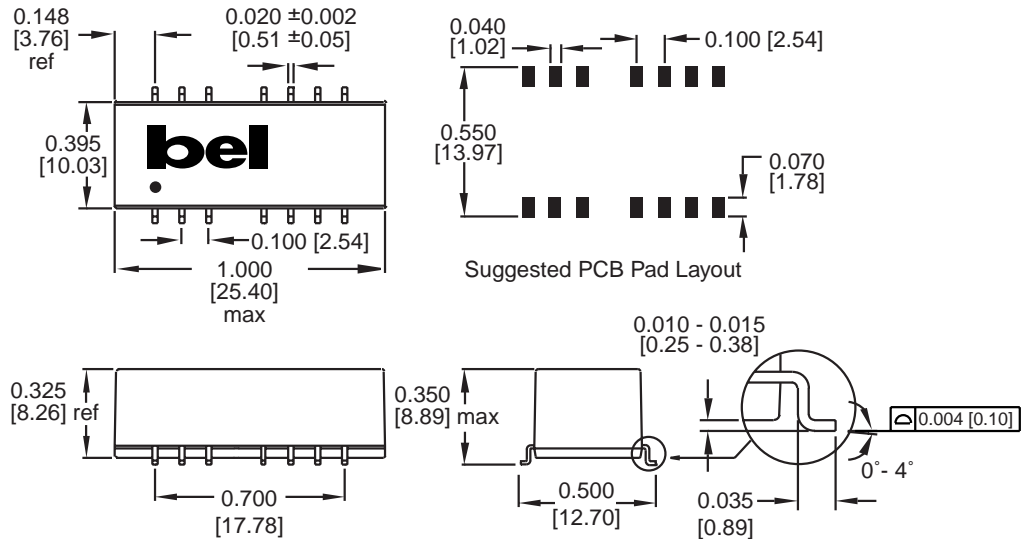
MECHANICALS

S558-5999-42
S558-5999-46
S558-5999-90
S558-5999-K7



Dimensions are in inches [millimeters].
 Standard dimension tolerance is ±0.005 [0.13] unless otherwise noted.

S558-5999-95



Dimensions are in inches [millimeters].
 Standard dimension tolerance is ±0.005 [0.13] unless otherwise noted.

©2001 Bel Fuse Inc. Specifications subject to change without notice. 09.10

CORPORATE

Bel Fuse Inc.
 206 Van Vorst Street
 Jersey City, NJ 07302
 Tel 201-432-0463
 Fax 201-432-9542
 www.belfuse.com

L4-24

FAR EAST

Bel Fuse Ltd.
 8F / 8 Luk Hop Street
 San Po Kong
 Kowloon, Hong Kong
 Tel 852-2328-5515
 Fax 852-2352-3706
 www.belfuse.com

EUROPE

Bel Fuse Europe Ltd.
 Preston Technology Management Centre
 Marsh Lane, Suite G7, Preston
 Lancashire, PR1 8UD, U.K.
 Tel 44-1772-556601
 Fax 44-1772-888366
 www.belfuse.com