

Excellent Integrated System Limited

Stocking Distributor

Click to view price, real time Inventory, Delivery & Lifecycle Information:

[Microsemi Consumer Medical Product Group](#)
[MAX3637EVKIT+](#)

For any questions, you can email us directly:

sales@integrated-circuit.com

19-5269; Rev 1; 5/10



MAX3637 Evaluation Kit

General Description

The MAX3637 evaluation kit (EV kit) is a fully assembled and tested demonstration board that simplifies evaluation of the MAX3637 low-jitter, wide-frequency range clock generator. The EV kit includes an on-board 25MHz crystal and switches for selecting different modes of operation. The reference inputs and clock outputs use SMA connectors and are AC-coupled to simplify connection to test equipment.

EV Kit Contents

◆ MAX3637 EV Kit Board

Features

- ◆ Fully Assembled and Tested
- ◆ On-Board 25MHz Crystal
- ◆ Switches for Selecting Modes of Operation
- ◆ SMA Connectors and AC-Coupled Clock I/Os

Ordering Information

PART	TYPE
MAX3637EVKIT+	EV Kit

+Denotes lead(Pb)-free and RoHS compliant.

Component List

DESIGNATION	QTY	DESCRIPTION
C1–C10, C14, C15, C16, C18–C24, C27–C32, C34–C37	30	0.1μF ±10% ceramic capacitors (0402)
C11	1	2.2μF ±10% ceramic capacitor (0603)
C12	1	0.1μF ±10% ceramic capacitor (0603)
C13	1	33μF ±10% tantalum capacitor (B case) AVX TAJB336K010R
C17	1	27pF ±10% ceramic capacitor (0402)
C25	1	33pF ±10% ceramic capacitor (0402)
C26	1	10μF ±10% ceramic capacitor (0603)
C33	1	3pF ±10% ceramic capacitor (0402)
J1–J9, J11, J13–J24	22	SMA connectors, edge-mount, tab contact Johnson 142-0701-851
J10, J12	2	Test points Keystone 5000
L1, L4, L5, L8, L9, L11, L13, L16, L17, L20, L21, L24, L25, L28, L29, L32, L35, L36	18	Ferrite beads (0402) Murata BLM15HD102SN1

DESIGNATION	QTY	DESCRIPTION
L2, L3, L6, L7, L10, L12, L14, L15, L18, L19, L22, L23, L26, L27, L30, L31, L33, L34	18	4.7μH ±10% inductors (0805) Murata LQM21NN4R7K10
R1–R10, R12, R15–R18, R20, R21, R22	18	150Ω ±1% resistors (0402)
R11	1	49.9Ω ±1% resistor (0402)
R13	1	10.5Ω ±1% resistor (0402)
R14	1	33.2Ω ±1% resistor (0402)
R19	1	499Ω ±1% resistor (0402)
S1, S2, S3, S5–S17	16	Switches, SP3T, slide ALPS SSS211900
S18–S21	4	Switches, SPDT, slide E-Switch EG1218
TP1, TP2	2	Test points Keystone 5000
U1	1	Clock generator (48 TQFN-EP*) Microsemi MAX3637ETM+
U2	1	25MHz crystal NDK EXS00A-AT00429
—	1	PCB: MAX3637 EVALUATION BOARD+ REV B

*EP = Exposed pad.

Evaluates: MAX3637

MAX3637 Evaluation Kit

Quick Start

- Set the switches to the following settings to generate a 156.25MHz LVDS output from the 25MHz crystal reference:
 - IN_SEL = XO
 - PLL_BP = LOW
 - DM = LOW
 - DP = HIGH
 - DF1 = LOW, DF0 = LOW
 - DA1 = HIGH, DA0 = LOW
 - DB1 = HIGH, DB0 = LOW
 - DC1 = HIGH, DC0 = LOW
 - QA_CTRL1 = LVDS
 - QA_CTRL2 = DISABLED
 - QB_CTRL = DISABLED
 - QC_CTRL = DISABLED
 - QA_TERM1 = LVDS
 - QA_TERM2 = LVDS
 - QB_TERM = LVDS
 - QC_TERM = LVDS
- Connect a +3.3V supply to VCC (J10) and GND (J12). Set the supply current limit to 500mA.
- Using SMA cables, connect QA0 (J11) and $\overline{QA0}$ (J13) to a phase noise analyzer or scope. Terminate all unused enabled outputs, QA1 (J14), $\overline{QA1}$ (J15), QA2 (J16), and $\overline{QA2}$ (J17).

Detailed Description

The MAX3637 EV kit simplifies evaluation by providing the hardware needed to evaluate all the MAX3637 functions. Table 1 contains functional descriptions for the switches. Table 2 provides the divider settings for various frequency configurations.

LVC MOS Clock Input

The LVC MOS clock input, CIN, is AC-coupled at the SMA connector and has an on-board 50Ω termination. For optimal performance it is important to use a low-jitter square-wave clock source. Clock signals should be applied to CIN only when the switch IN_SEL is set to CIN.

Differential Clock Input

The differential clock input, DIN, is AC-coupled at the SMA connectors and has an internal 100Ω differential termination. For optimal performance it is important to use a low-jitter, differential, square-wave clock source. Clock signals should be applied to DIN only when the switch IN_SEL is set to DIN.

LVDS/LVPECL Clock Outputs

The LVDS/LVPECL clock outputs (QA[4:0], QB[2:0], QC) are configured using switches S14–S21. Each output has an on-board bias-T, which provides DC bias when configured as LVPECL and AC-coupling for direct connection to 50Ω-terminated test equipment. Unused outputs should be disabled (using switches S14–S17) or have 50Ω terminations placed on the SMA connectors. For optimal jitter measurements a balun is recommended for differential to single-ended conversion when connected to single-ended test equipment such as a phase noise analyzer. See Figure 1 for the measurement setup.

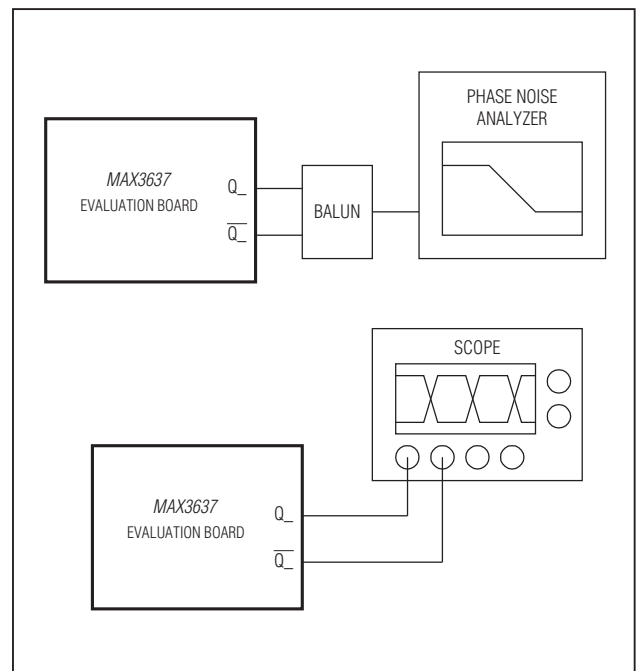


Figure 1. Measurement Setup

MAX3637 Evaluation Kit

LVC MOS Clock Output

The LVC MOS clock output, QCC, has a 500Ω series load resistor and is AC-coupled at the SMA connector. This output can be connected to 50Ω-terminated test equip-

ment, or a high-Z (1MΩ) scope probe. If connected to 50Ω test equipment, the output swing at the termination is approximately 275mV_{P-P}.

Evaluates: MAX3637

Table 1. Switch Descriptions

COMPONENT	NAME	FUNCTION
S1	IN_SEL	Selects input reference clock source. DIN = Differential input DIN, \overline{DIN} CIN = LVC MOS input CIN XO = Crystal reference (25MHz on-board)
S2	PLL_BP	Selects PLL bypass mode. HIGH = All outputs PLL bypass OPEN = C output bank PLL bypass LOW = All outputs PLL enabled
S3	DM	Selects input divider M. See Table 2.
S5	DP	Selects VCO prescale divider P. See Table 2.
S6, S7	DF1, DF0	Selects feedback divider F. See Table 2.
S8, S9	DA1, DA0	Selects output divider A. See Table 2.
S10, S11	DB1, DB0	Selects output divider B. See Table 2.
S12, S13	DC1, DC0	Selects output divider C. See Table 2.
S14	QA_CTRL1	Selects QA[2:0] output interface (LVPECL, LVDS, or DISABLED).
S15	QA_CTRL2	Selects QA[4:3] output interface (LVPECL, LVDS, or DISABLED).
S16	QB_CTRL	Selects QB[2:0] output interface (LVPECL, LVDS, or DISABLED).
S17	QC_CTRL	Selects QC and QCC output interface. LVPECL = QC output LVPECL, QCC output LVC MOS DISABLED = QC and QCC disabled LVDS = QC output LVDS, QCC output LVC MOS
S18	QA_TERM1	Selects QA[2:0] output termination. Provides DC path to GND for QA[2:0] bias-Ts when switched to LVPECL. DC path to GND is open when switched to LVDS.
S19	QA_TERM2	Selects QA[4:3] output termination. Provides DC path to GND for QA[4:3] bias-Ts when switched to LVPECL. DC path to GND is open when switched to LVDS.
S20	QB_TERM	Selects QB[2:0] output termination. Provides DC path to GND for QB[2:0] bias-Ts when switched to LVPECL. DC path to GND is open when switched to LVDS.
S21	QC_TERM	Selects QC output termination. Provides DC path to GND for QC bias-Ts when switched to LVPECL. DC path to GND is open when switched to LVDS.

MAX3637 Evaluation Kit

Evaluates: MAX3637

Table 2. Divider Settings for Various Frequency Configurations

INPUT FREQUENCY (MHz)	INPUT DIVIDER	FEEDBACK DIVIDER		VCO FREQUENCY (MHz)	PRESCALE DIVIDER	OUTPUT DIVIDER		OUTPUT FREQUENCY (MHz)	APPLICATIONS
	DM	DF1	DF0		DP	DA1 DB1 DC1	DA0 DB0 DC0		
15.36	LOW	OPEN	LOW	3686.4	LOW	OPEN	OPEN	737.28*	Wireless Base Station: WCDMA, cdma2000®, LTE, TD_SCDMA, WiMAX™, GSM
30.72	LOW	HIGH	OPEN			LOW	LOW	368.64	
						LOW	HIGH	245.76	
61.44	OPEN	OPEN	LOW			HIGH	LOW	184.32	
						HIGH	OPEN	122.88	
122.88	OPEN	HIGH	OPEN			OPEN	HIGH	92.16	
15.36	LOW	LOW	OPEN	3686.4	HIGH	OPEN	OPEN	614.4*	
19.2	LOW	HIGH	HIGH			LOW	LOW	307.2	
30.72	LOW	LOW	HIGH			LOW	HIGH	204.8	
38.4	LOW	HIGH	LOW			HIGH	LOW	153.6	
61.44	OPEN	LOW	OPEN			HIGH	HIGH	122.88	
122.88	OPEN	LOW	HIGH			HIGH	OPEN	102.4	
153.6	OPEN	HIGH	LOW	3750	HIGH	OPEN	HIGH	76.8	
25	LOW	LOW	LOW			OPEN	LOW	51.2	
31.25	LOW	LOW	HIGH			OPEN	OPEN	625*	
62.5	OPEN	LOW	OPEN			LOW	LOW	312.5	
125	HIGH	LOW	LOW			HIGH	LOW	156.25	
156.25	HIGH	LOW	HIGH			HIGH	HIGH	125	
26.04166	LOW	HIGH	OPEN	3750	LOW	LOW	HIGH	250	
25	LOW	OPEN	HIGH			HIGH	LOW	187.5	
31.25	LOW	HIGH	OPEN			HIGH	HIGH	150	
125	OPEN	HIGH	OPEN			HIGH	OPEN	125	
						OPEN	LOW	62.5	
26.5625	LOW	HIGH	OPEN			3825	HIGH	LOW	LOW
				LOW	HIGH			212.5	
				HIGH	LOW			159.375	
				HIGH	OPEN			106.25	
19.44	LOW	HIGH	HIGH	3732.48	HIGH	OPEN	LOW	53.125	
38.88	LOW	HIGH	LOW			OPEN	OPEN	622.08*	
155.52	OPEN	HIGH	LOW			LOW	LOW	311.04	
						HIGH	LOW	155.52	
						OPEN	HIGH	77.76	SONET/SDH, STM-N

*Output divider settings applicable only for A and B output banks.

**Output divider settings applicable only for C output bank.

cdma2000 is a registered trademark of the Telecommunications Industry Association.

WiMAX is a trademark of WiMAX Forum.

MAX3637 Evaluation Kit

Evaluates: MAX3637

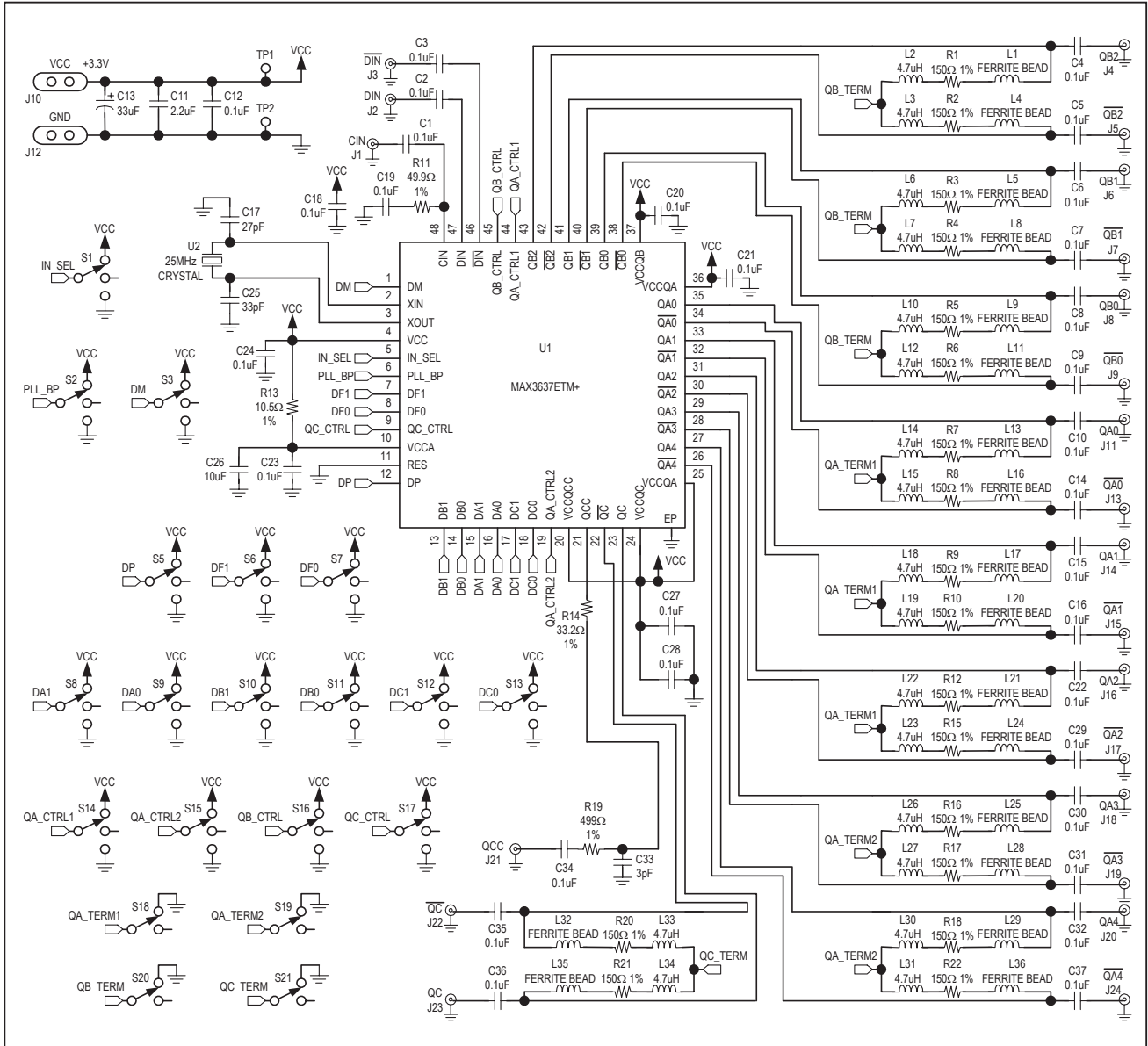


Figure 2. MAX3637 EV Kit Schematic

Evaluates: MAX3637

MAX3637 Evaluation Kit

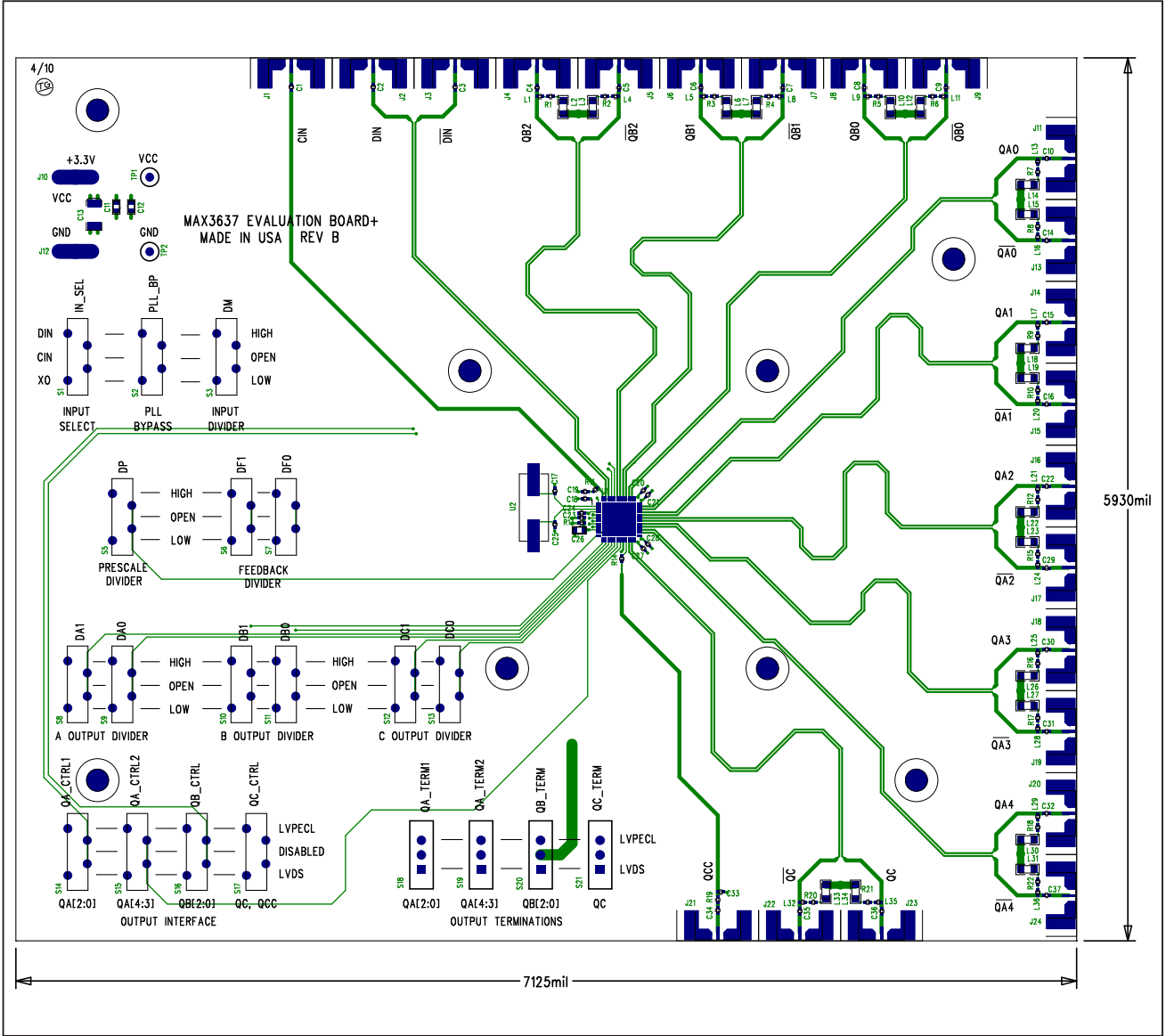


Figure 3. MAX3637 EV Kit Component Placement Guide—Component Side

MAX3637 Evaluation Kit

Evaluates: MAX3637

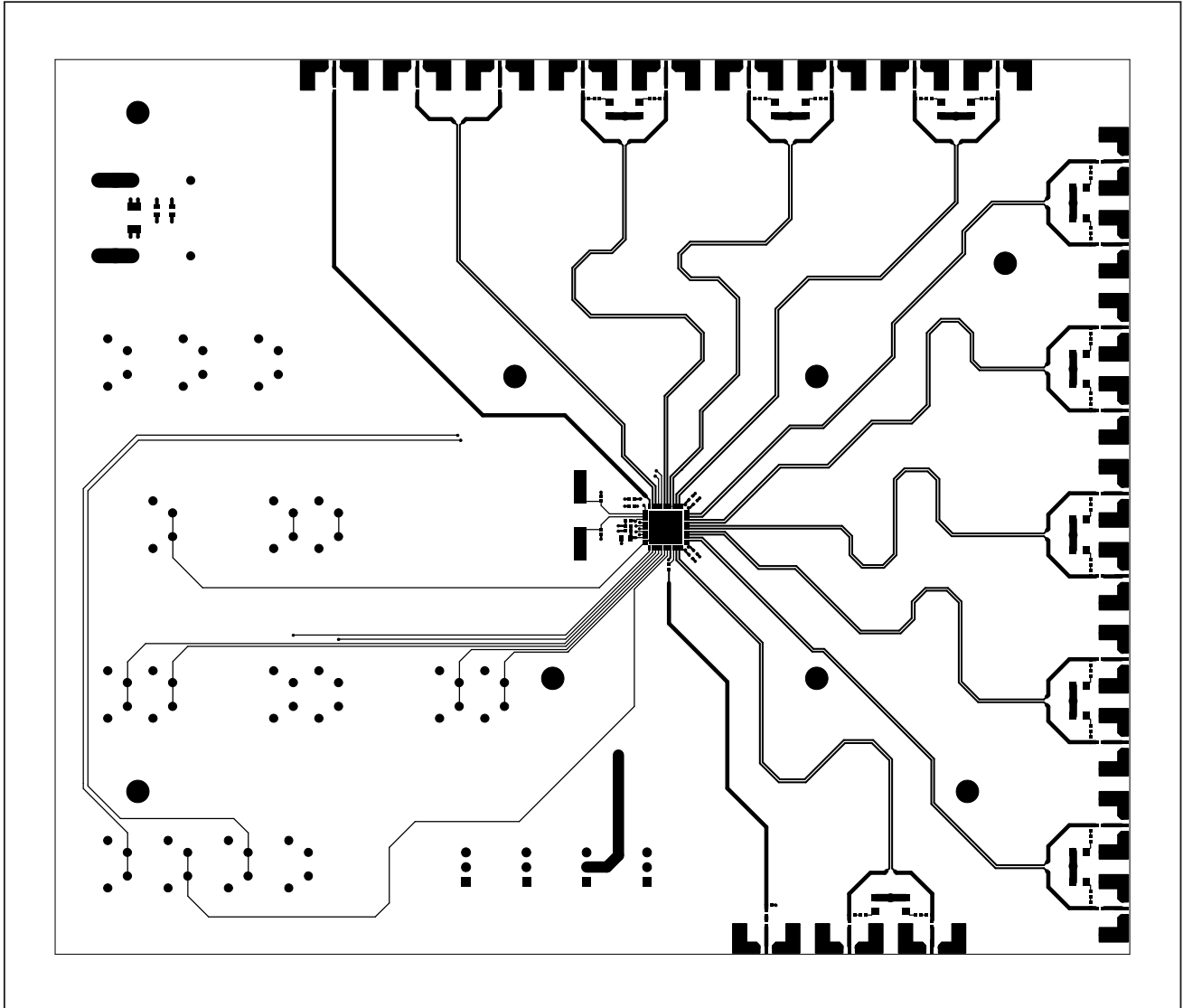


Figure 4. MAX3637 EV Kit PCB Layout—Component Side

MAX3637 Evaluation Kit

Evaluates: MAX3637

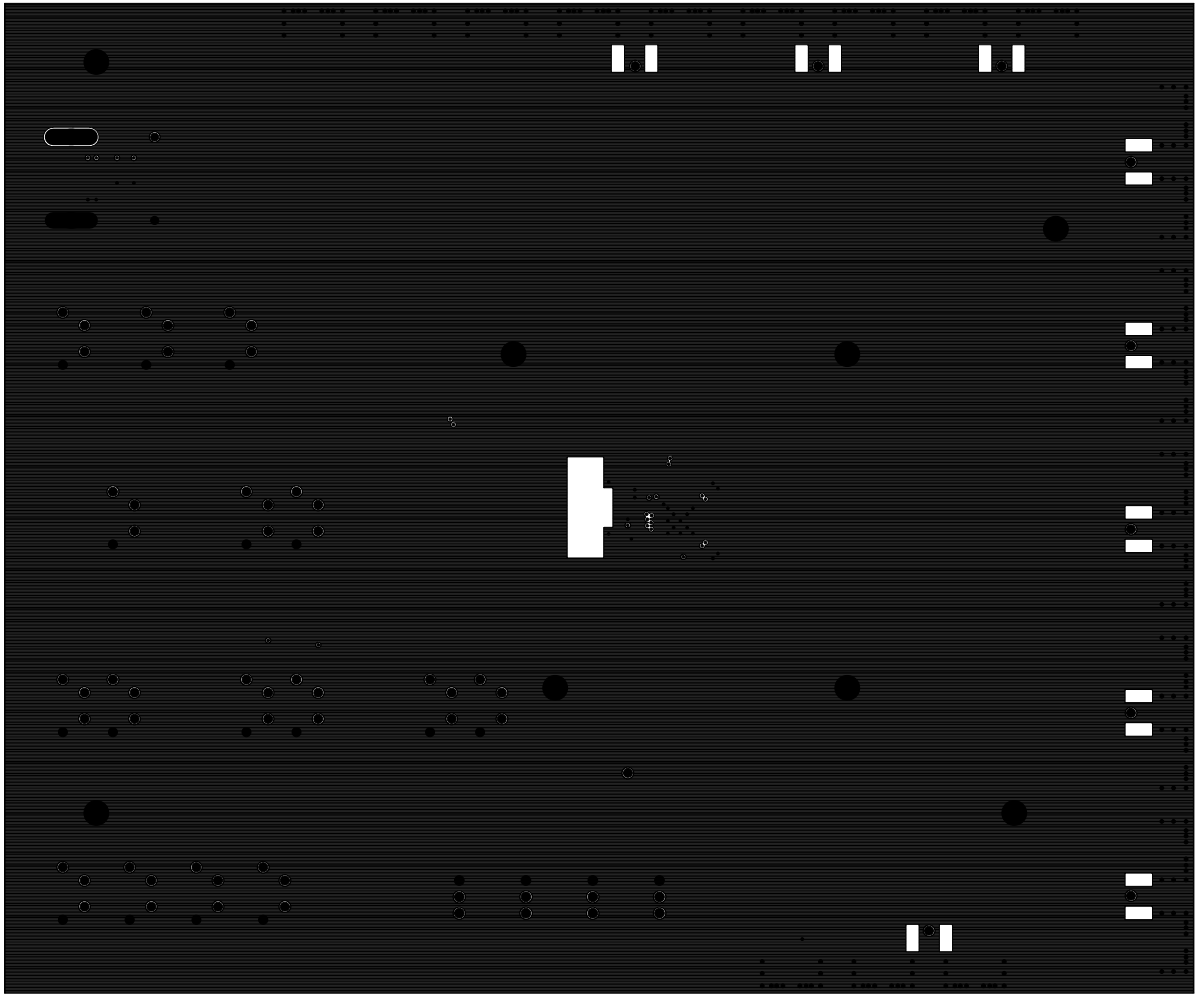


Figure 5. MAX3637 EV Kit PCB Layout—Ground Plane

MAX3637 Evaluation Kit

Evaluates: MAX3637

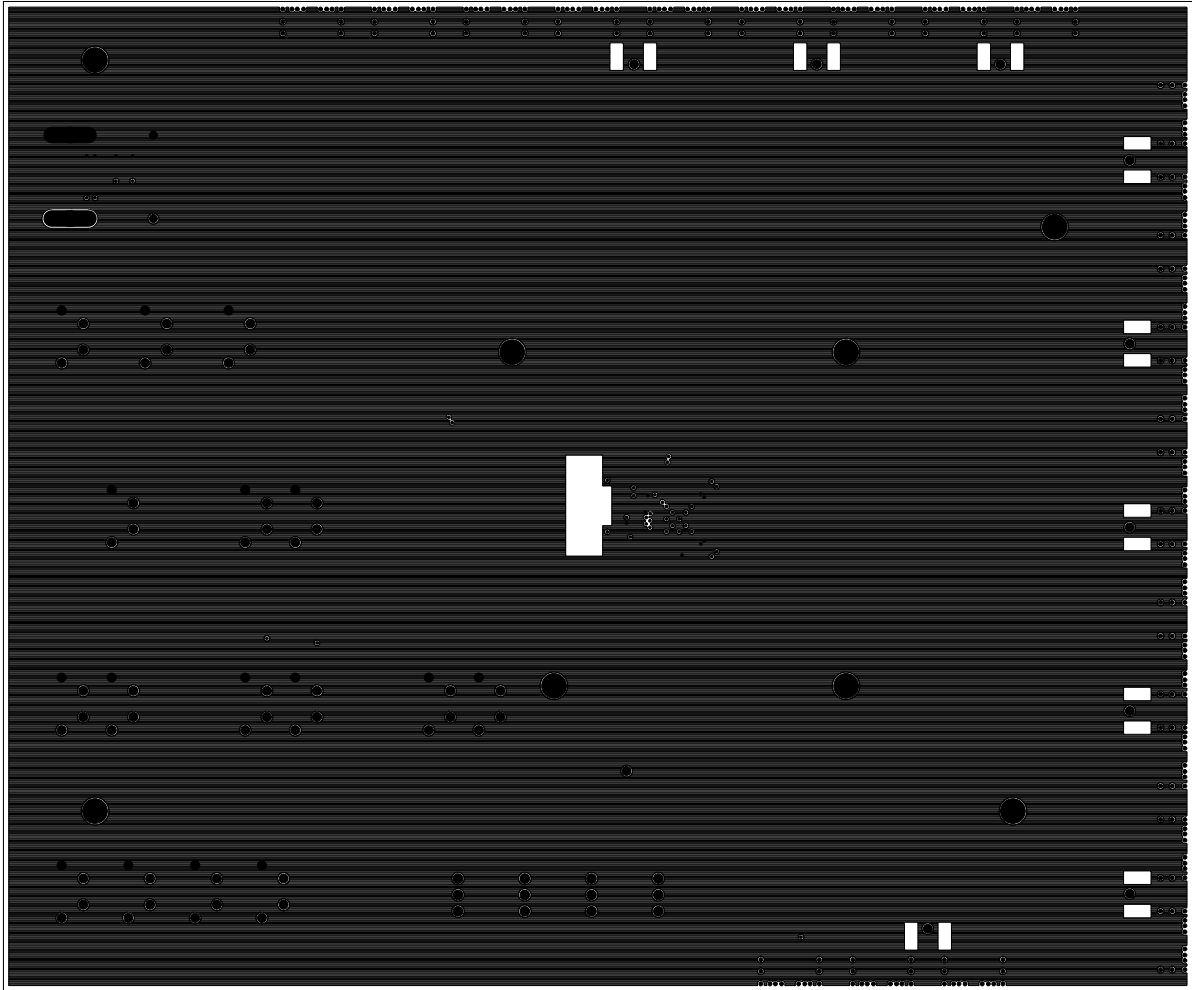


Figure 6. MAX3637 EV Kit PCB Layout—Power Plane

MAX3637 Evaluation Kit

Evaluates: MAX3637

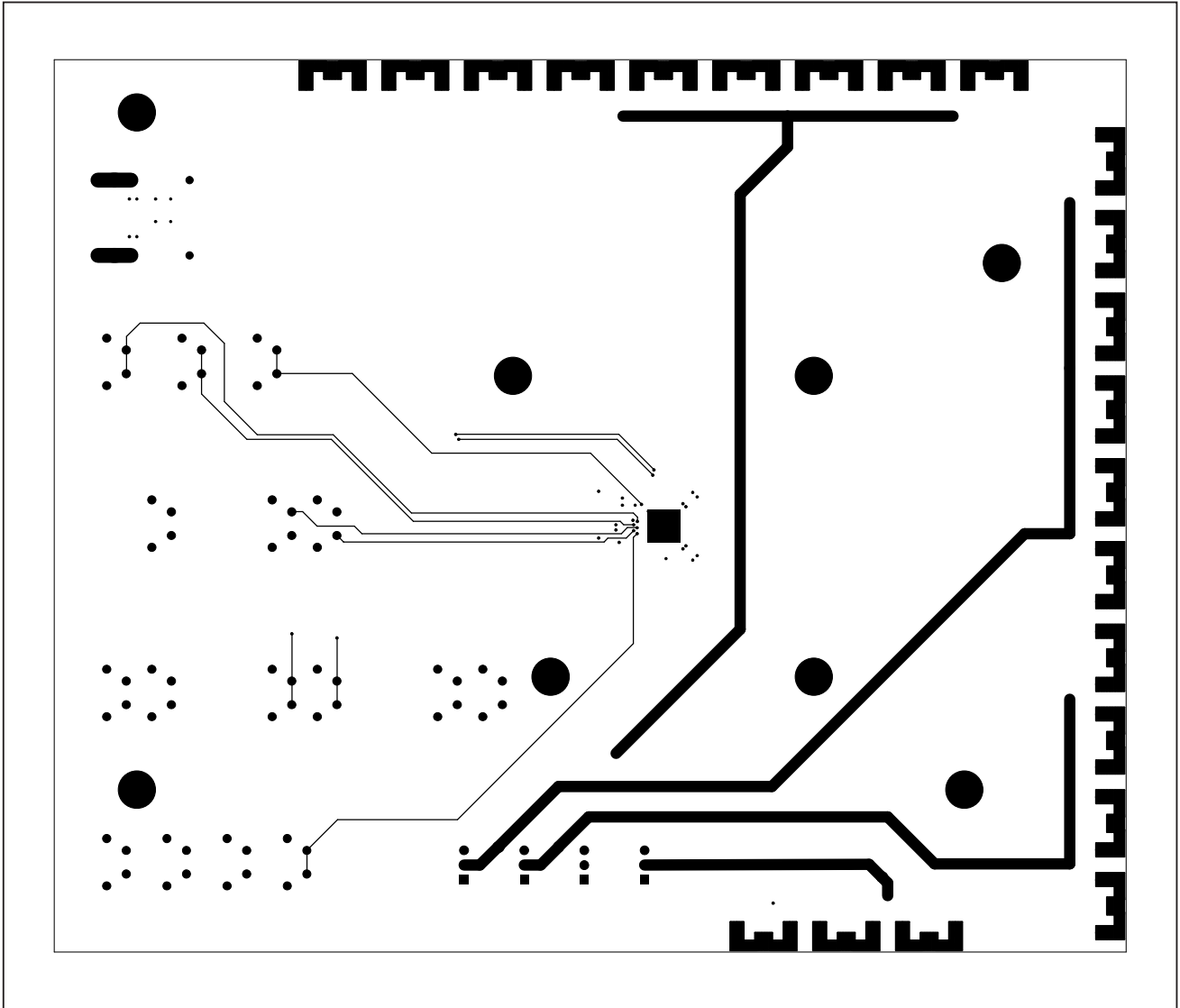


Figure 7. MAX3637 EV Kit PCB Layout—Solder Side

MAX3637 Evaluation Kit

Revision History

REVISION NUMBER	REVISION DATE	DESCRIPTION	PAGES CHANGED
0	5/10	Initial release	—
1	5/10	Changed R13 from 10.0Ω to 10.5Ω in the <i>Component List</i> and Figure 2; corrected the label for L28 in Figure 2	1, 5

Evaluates: MAX3637



Microsemi Corporate Headquarters
One Enterprise, Aliso Viejo CA 92656 USA
Within the USA: +1 (949) 380-6100
Sales: +1 (949) 380-6136
Fax: +1 (949) 215-4996

Microsemi Corporation (NASDAQ: MSCC) offers a comprehensive portfolio of semiconductor solutions for: aerospace, defense and security; enterprise and communications; and industrial and alternative energy markets. Products include high-performance, high-reliability analog and RF devices, mixed signal and RF integrated circuits, customizable SoCs, FPGAs, and complete subsystems. Microsemi is headquartered in Aliso Viejo, Calif. Learn more at www.microsemi.com.

© 2012 Microsemi Corporation. All rights reserved. Microsemi and the Microsemi logo are trademarks of Microsemi Corporation. All other trademarks and service marks are the property of their respective owners.