



## Excellent Integrated System Limited

Stocking Distributor

Click to view price, real time Inventory, Delivery & Lifecycle Information:

[ASSMANN WSW Components](#)

[AT-C-26-8/8/S-25/R](#)

For any questions, you can email us directly:

[sales@integrated-circuit.com](mailto:sales@integrated-circuit.com)

1                      2                      3                      4                      5                      6                      7

A

B

C

D

E

F

G

H

A

B

C

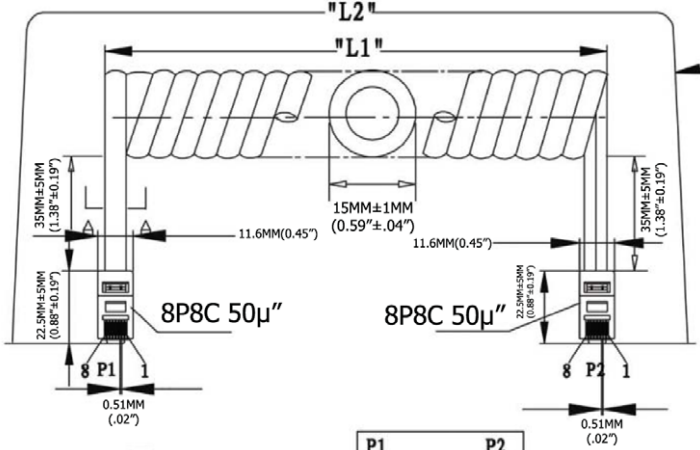
D

E

F

G

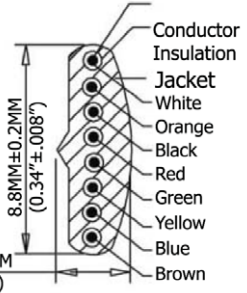
H



Extended length is with 500g of force

- Material:**
- Plug Housing: Polycarbonate, clear
  - Plug Terminal: 0.36"[0.14MM] Thick Phosphor Bronze
  - Connector: 50µ" of Selective Gold Contact Plating
    - Area, Gold flash over the remainder
    - Over 2.54µm[.000100] thick nickel underplate
  - Conductor(X8C): 26AWG (0.12X12) Bare Copper
  - Insulation(X8C): PP6331 ID 0.95-1.0
  - Jacke: PVC No UL 80 P
  - Package: Individual PE Bag

- Electrical:**
- Voltage rating: 30V (DC)



P1	P2
1	WHITE
2	ORANGE
3	BLACK
4	RED
5	GREEN
6	YELLOW
7	BLUE
8	BROWN

Extended Length ("L2")	Typical Retracted Length ("L1")
300.0 Inches - 345 Inches	126.0 Inches
7,620.0MM-8,763.0MM	3,200.4MM

SEC: A=A

Scale	1:1					Name	Item No.
TOLERANCE						Drawn	11.02.11
X.X	±0.40					Approved	Chappell
X.XX	±0.25						Title
X.XXX	±0.15						NON-UL 26AWG (0.16/7)*8C, O.D.: 2.4*8.8MM, Reverse Plug, 50µ" of contact plating, SILVER
Angle	±3°						Drawing No.
							rev00
							Replace
							Sheet



1                      2                      3                      4                      5                      6                      7