

Excellent Integrated System Limited

Stocking Distributor

Click to view price, real time Inventory, Delivery & Lifecycle Information:

[Bulgin](#)
[PX0714/2/15/28](#)

For any questions, you can email us directly:
sales@integrated-circuit.com

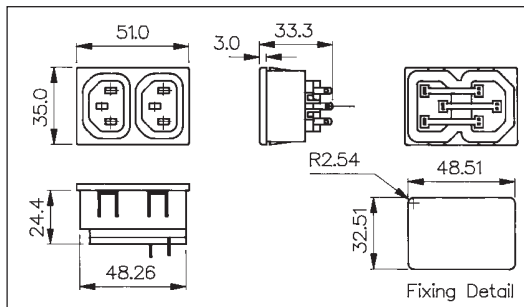
EN60 320-2-2 Standard Sheet F Class I

SNAP FIT TO PANEL TWO WAY OUTLET



PX0714/2/15/28

- Panel Size 1.5mm
- 2.8mm Solder Tabs
- 10A, 250V a.c. (15A, 250V a.c. UL)
- All Terminals Linked

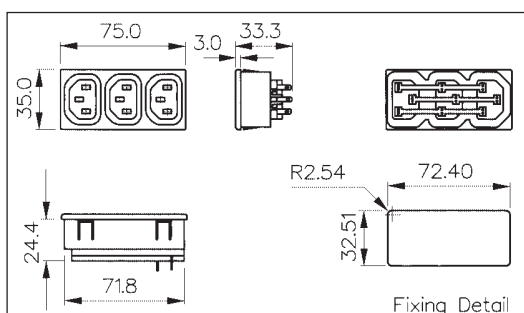


SNAP FIT TO PANEL THREE WAY OUTLET



PX0714/3/15/28

- Panel Size 1.5mm
- 2.8mm Solder Tabs
- 10A, 250V a.c. (15A, 250V a.c. UL)
- All Terminals Linked

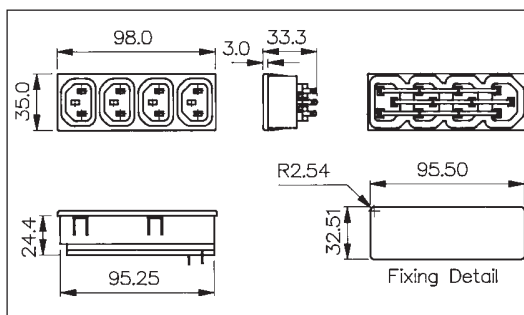


SNAP FIT TO PANEL FOUR WAY OUTLET



PX0714/4/15/28

- Panel Size 1.5mm
- 2.8mm Solder Tabs
- 10A, 250V a.c. (15A, 250V a.c. UL)
- All Terminals Linked



IEC CONNECTORS

| Specification | PX0714/2/15/28 | PX0714/3/15/28 | PX0714/4/15/28 |
|------------------------|--------------------------------------|--------------------------------------|--------------------------------------|
| Fixing: | Snap fit /15 (1.5mm) | Snap fit /15 (1.5mm) | Snap fit /15 (1.5mm) |
| Terminations: | /28 (2.8mm solder) | /28 (2.8mm solder) | /28 (2.8mm solder) |
| Total Max. Rating: | 10A, 250V a.c. 15A, 250V a.c UL | 10A, 250V a.c. 15A, 250V a.c UL | 10A, 250V a.c. 15A, 250V a.c UL |
| Operating Temp. Range: | -20°C to +70°C | -20°C to +70°C | -20°C to +70°C |
| Mouldings: | Nylon, Flammability Rating UL94V-0 | Nylon, Flammability Rating UL94V-0 | Nylon, Flammability Rating UL94V-0 |
| Contacts & Busbar: | Plated Copper Alloy | Plated Copper Alloy | Plated Copper Alloy |
| Approvals: | | | |
| Mates with: | PX0686, PX0686/SE, PZ0500, PZ0600 | PX0686, PX0686/SE, PZ0500, PZ0600 | PX0686, PX0686/SE, PZ0500, PZ0600 |