

## Excellent Integrated System Limited

Stocking Distributor

Click to view price, real time Inventory, Delivery & Lifecycle Information:

[Harting](#)  
[09670019928](#)

For any questions, you can email us directly:  
[sales@integrated-circuit.com](mailto:sales@integrated-circuit.com)

Alle Rechte vorbehalten/ All rights reserved

5

4

3

2

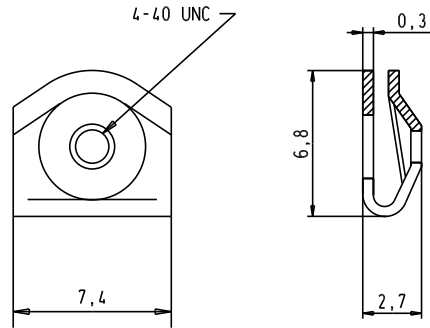
1

D

C

B

A



stainless steel

				Det.	Name	 All Dim. in mm Orig. Size DIN A 4	D-Sub, U clip with thread UNC 4-40 for 9-15-25-37 and 50 poles	Moßstab/ Scale
			Detail.	09-APR-02	CV			4:1
			Insp.					
			Stand.					Blatt/ Page
33435	02/03/06	JMDR	HARTING EURL				TB 09670019928	1
29768	09-APR-02	CV	F-95972 Paris					Sub.
Mod.	Det.	Name						