

Excellent Integrated System Limited

Stocking Distributor

Click to view price, real time Inventory, Delivery & Lifecycle Information:

[Harting](#)
[09670029010](#)

For any questions, you can email us directly:
sales@integrated-circuit.com

D-Sub



Number of contacts

15-78



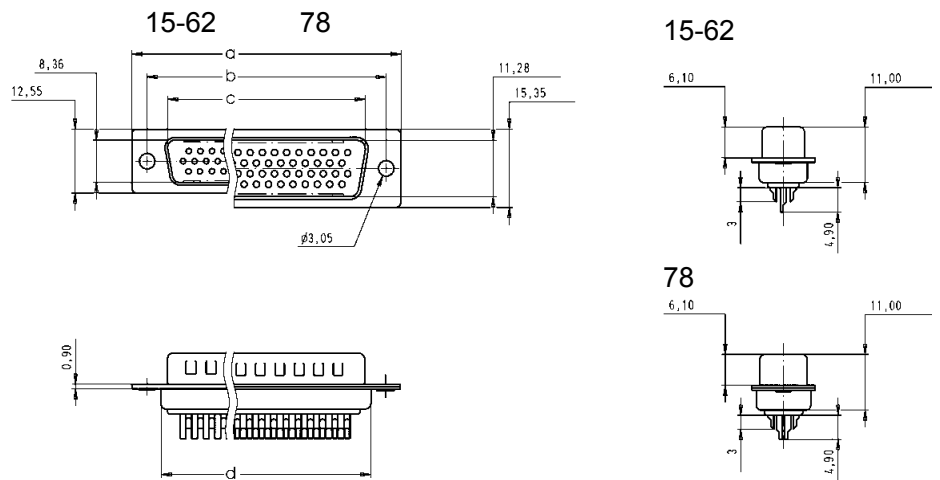
High density with stamped solder cups, straight

Identification

Drawing

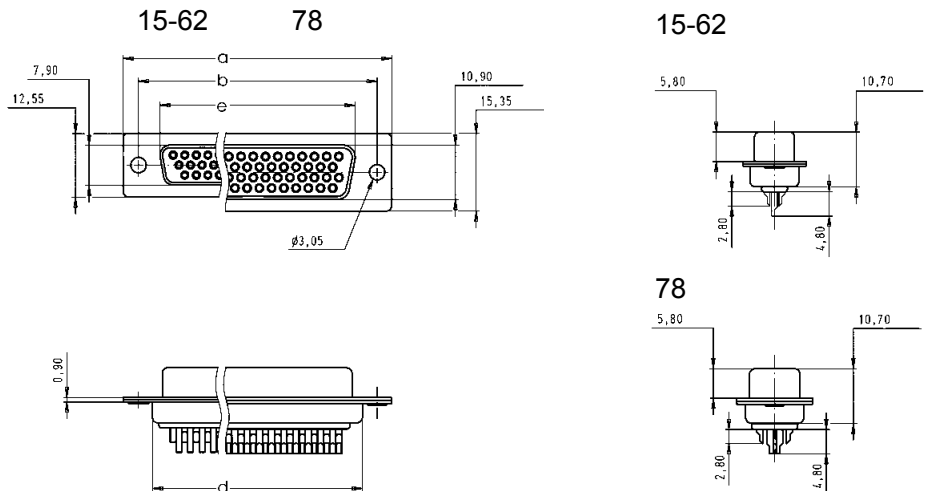
Dimensions in mm

Male connector



	a	b	c	d	e
15	30.81	25.00	16.92	19.20	16.33
26	39.20	33.30	25.25	27.70	24.70
44	53.05	47.00	38.96	41.10	38.40
62	69.40	63.50	55.42	57.30	54.80
78	67.00	61.00	52.81	55.10	52.20

Female connector



D-Sub