

Excellent Integrated System Limited

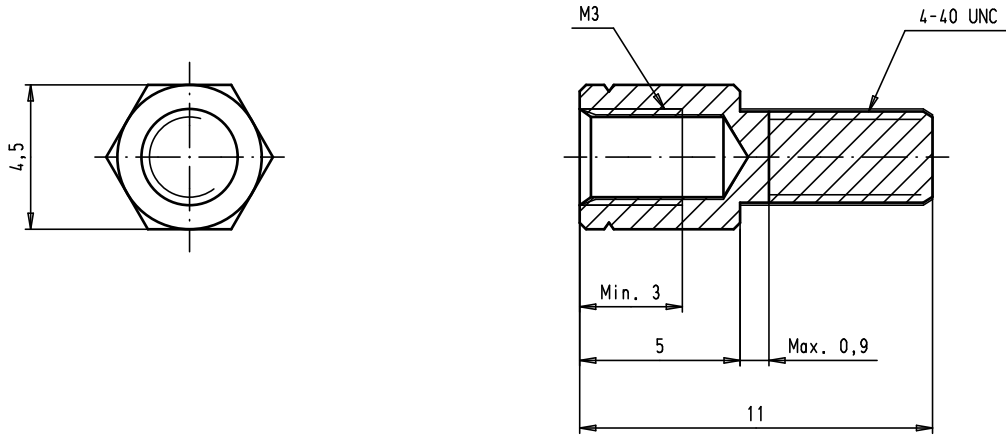
Stocking Distributor



Click to view price, real time Inventory, Delivery & Lifecycle Information:

[Harting](#)
[09670029048](#)

For any questions, you can email us directly:
sales@integrated-circuit.com

Alle Rechte vorbehalten/ All rights reserved



				Det.	Name	 All Dim. in mm Orig. Size DIN A 4	D-Sub, Female screw lock M3 / UNC 4-40, nickel plated steel	Meßstab/ Scale
			Detail.	29/08/07	PK			6:1
			Insp.					
			Stand.					Blatt/ Page
34402	29/08/07	PK	HARTING EURL F-95972 Paris				TB 09 67 002 9048	1/1
Mod.	Det.	Name	Sub.					