

## **Excellent Integrated System Limited**

Stocking Distributor

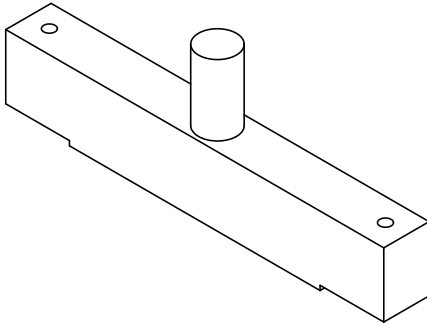
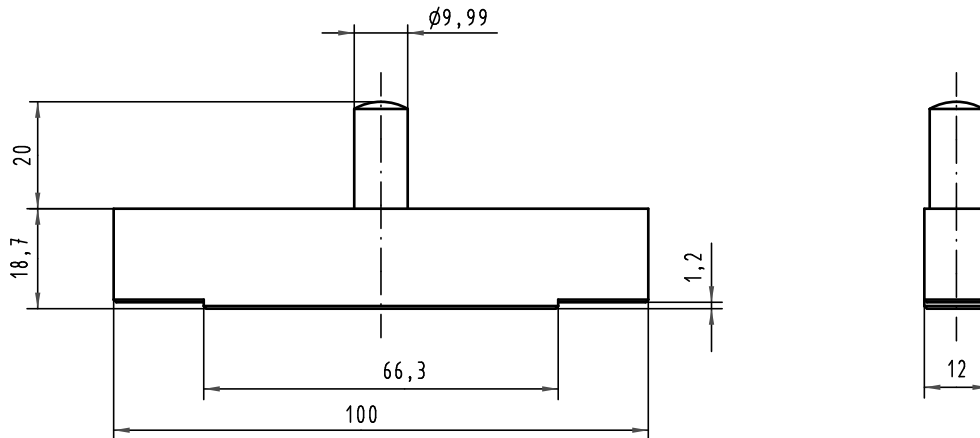
Click to view price, real time Inventory, Delivery & Lifecycle Information:

[Harting](#)

[09990000272](#)

For any questions, you can email us directly:

[sales@integrated-circuit.com](mailto:sales@integrated-circuit.com)



All Dimensions in mm Original Size DIN A 4			Techn. Character.			Nicht tolerierte Maß/Free size tolerances		
						<b>Eindrückstempel-Oberteil</b> <i>Top tool</i> für/for DIN 41612 - M (78+2)		
			Detail.	27.09.00	Hage			Maßstab/Scale 1:1
			Insp.	27.09.00	Wae			
			Stand.					
35479	13.03.09	Wae	HARTING Electronics GmbH & Co. KG			<b>TB 09 99 000 0272</b>	Blatt/ page	
28694			D-32339 ESPELKAMP					
Mod.	Dat.	Name				Sub.		