

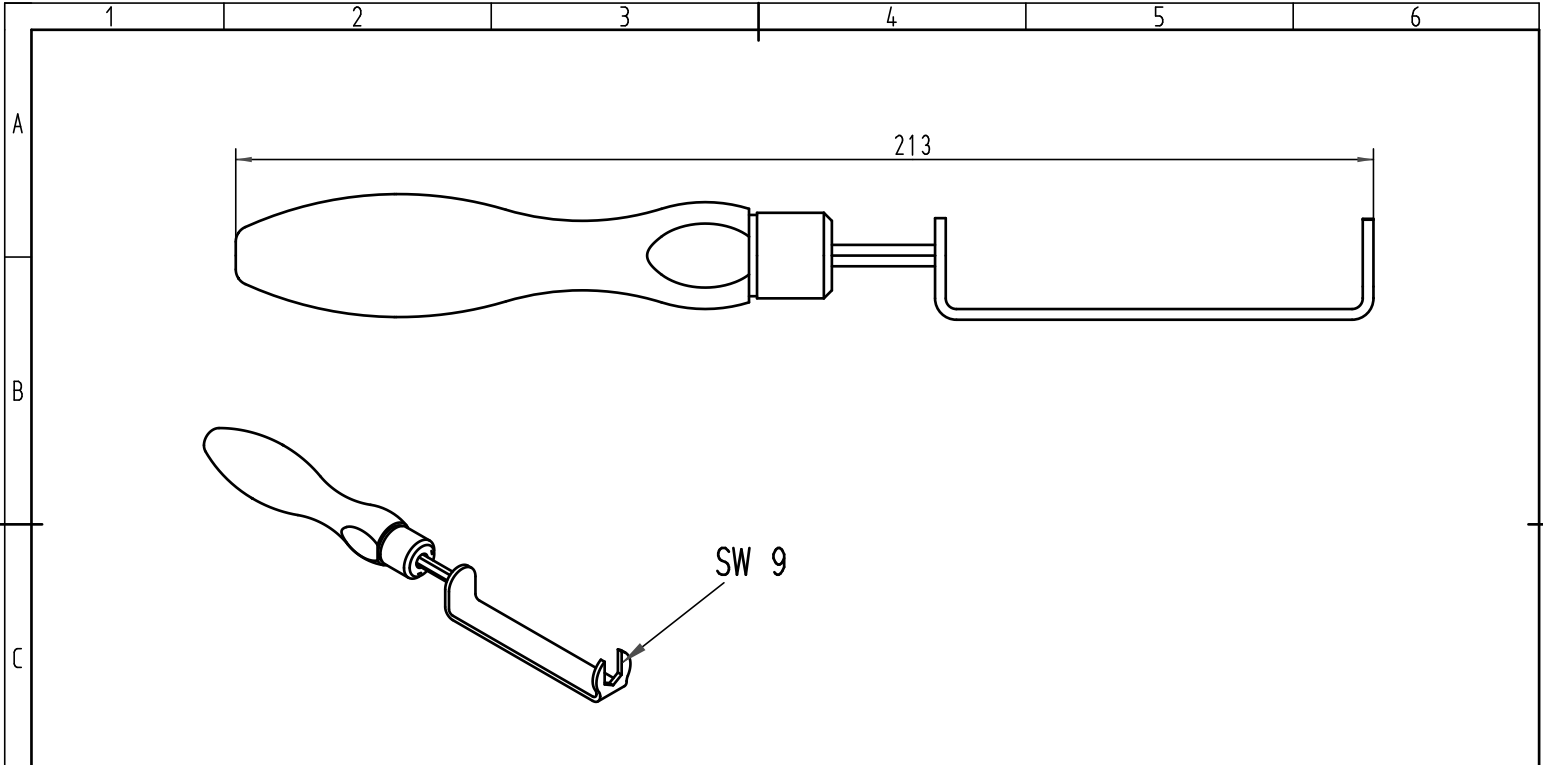
Excellent Integrated System Limited



Stocking Distributor

Click to view price, real time Inventory, Delivery & Lifecycle Information:

[Harting](#)
[09990000380](#)

For any questions, you can email us directly:
sales@integrated-circuit.com



 All Dimensions in mm Original Size DIN A 4			Techn. Character.			Nicht tolerierte Masse / Free size tolerances	
			Detail.	04.05.07	Rul	1 : 1	M8-Montageschlüssel Drehmoment auf 0,4 Nm voreingestellt
			Insp.		Sch		
			Stand.				
412896			HARTING Electric GmbH & Co. KG				TB 09 99 000 0380
Mod.	Dat.	Name	D-32339 Espelkamp				
						Sub.	