

Excellent Integrated System Limited

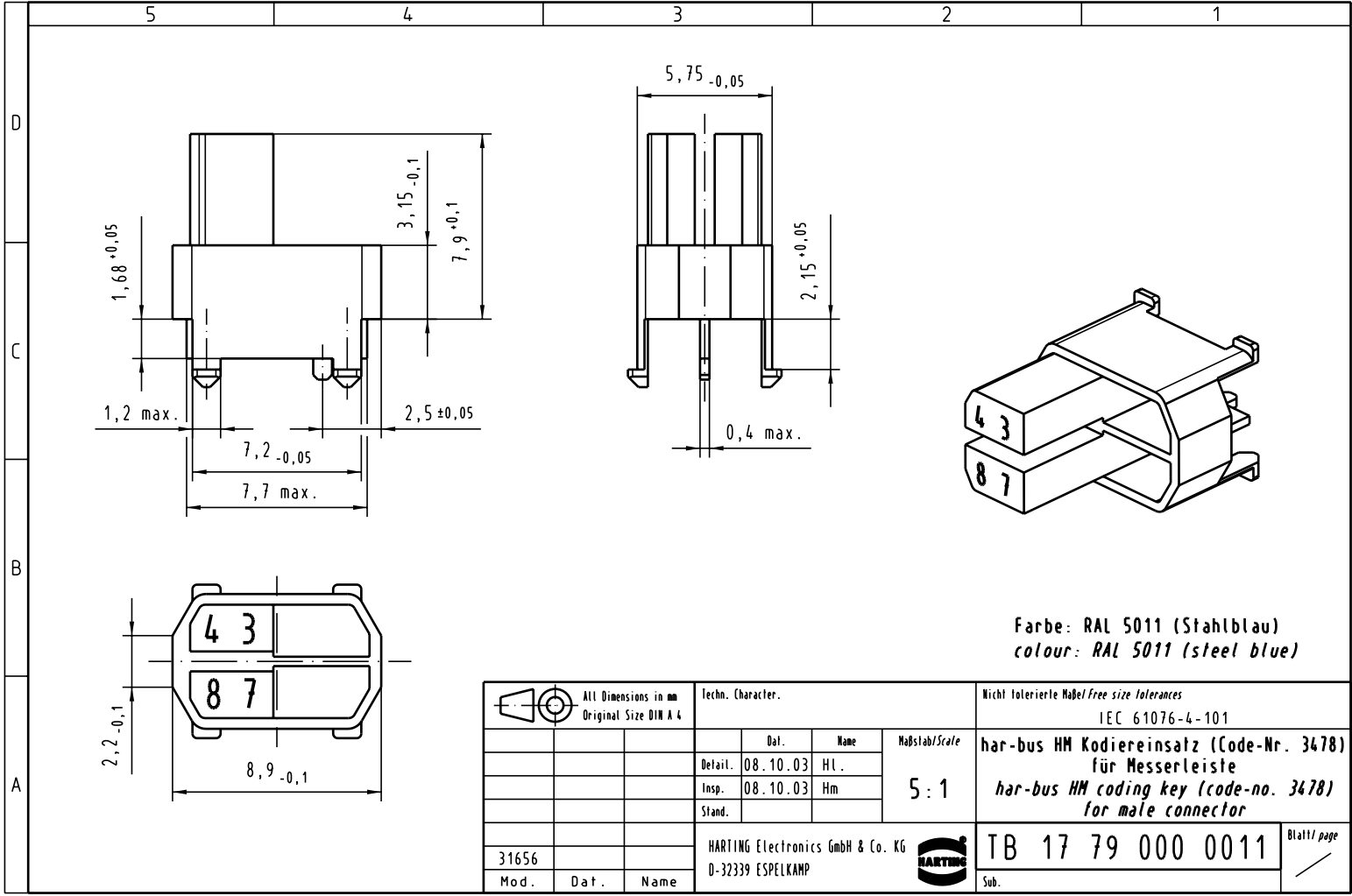
Stocking Distributor

Click to view price, real time Inventory, Delivery & Lifecycle Information:

[Harting](#)
[1779000011](#)

For any questions, you can email us directly:
sales@integrated-circuit.com

Alle Rechte vorbehalten! All rights reserved



Farbe: RAL 5011 (Stahlblau)
 colour: RAL 5011 (steel blue)

All Dimensions in mm Original Size DIN A 4		Techn. Character.			Nicht lotierte Nadel Free size tolerances IEC 61076-4-101		
			Dat.	Name	Maßstab/Scale 5 : 1	har-bus HM Kodierteinsatz (Code-Nr. 3478) für Messerleiste har-bus HM coding key (code-no. 3478) for male connector	
			Detail.	HL.			
			Insp.	Hm			
			Stand.				
31656			HARTING Electronics GmbH & Co. KG D-32339 ESPELKAMP			TB 17 79 000 0011 Sub.	Blatt/ page /
Mod.	Dat.	Name					