

Excellent Integrated System Limited

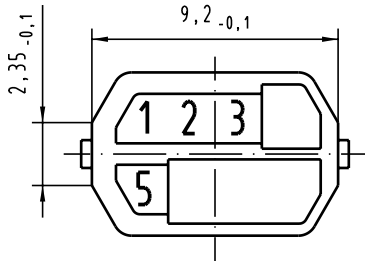
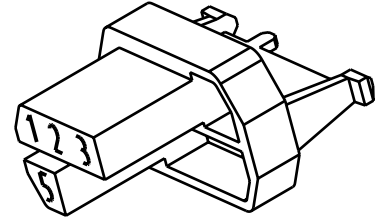
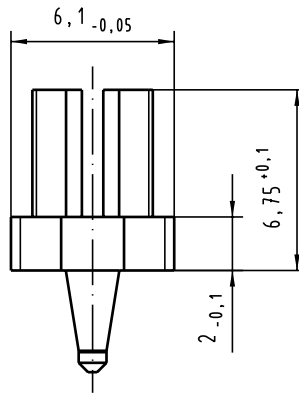
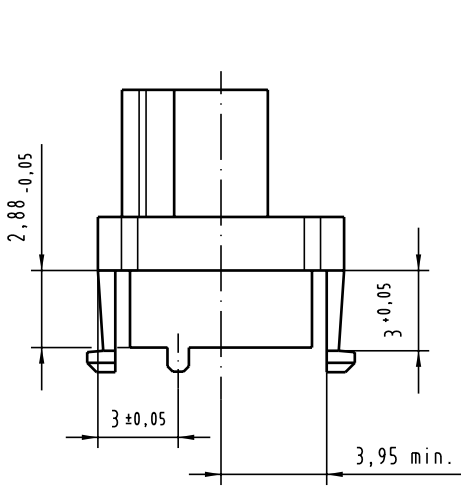
Stocking Distributor

Click to view price, real time Inventory, Delivery & Lifecycle Information:



[Harting](#)
[1779000027](#)

For any questions, you can email us directly:
sales@integrated-circuit.com

Alle Rechte vorbehalten! All rights reserved



Farbe: RAL 1024 (Ockergelb)
 colour: RAL 1024 (ochre yellow)

 All Dimensions in mm Original Size DIN A 4		Techn. Character.			Nicht lotierte Nadel Free size tolerances IEC 61076-4-101	
			Dat.	Name	Maßstab/Scale 5 : 1	har-bus HM Kodiereinsatz (Code-Nr. 1235) für Federleiste har-bus HM coding key (code-no. 1235) for female connector
			Detail.	07.10.03 Hl.		
			Insp.	07.10.03 Hm		
			Stand.			
31656			HARTING Electronics GmbH & Co. KG D-32339 ESPELKAMP			TB 17 79 000 0027 Sub.
Mod.	Dat.	Name				

Blatt / page