

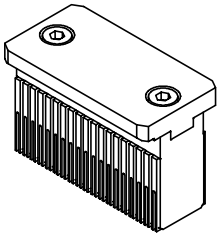
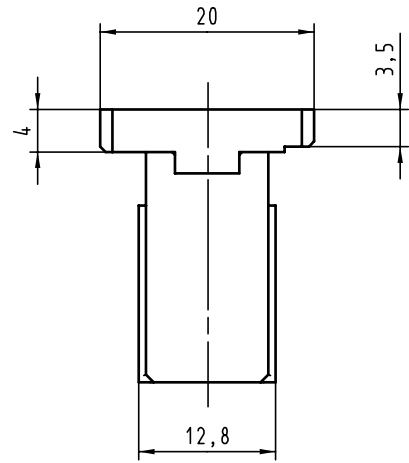
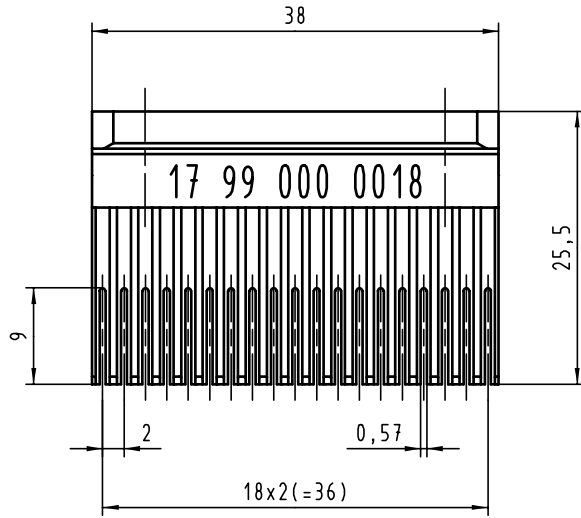
## Excellent Integrated System Limited

Stocking Distributor

Click to view price, real time Inventory, Delivery & Lifecycle Information:

[Harting](#)  
[17990000018](#)

For any questions, you can email us directly:  
[sales@integrated-circuit.com](mailto:sales@integrated-circuit.com)



All Dimensions in mm Original Size DIN A 4		Techn. Character.			Nicht tolerierte Maß/ Free size tolerances	
			Def. 02.03.00 Insp. 02.03.00 Stand.	Name Hage drie	Maßstab/Scale 2:1	Oberstempel / Top tool har-bus HM Messerleiste / male Typ B19
26823						
12.0var12,6	26.05.00	Hage	HARTING KGaA D-32339 ESPELKAMP			TB 17 99 000 0018 Sub.
	20.03.00	Hage				
Mod.	Dat.	Name				Blatt/ page /