

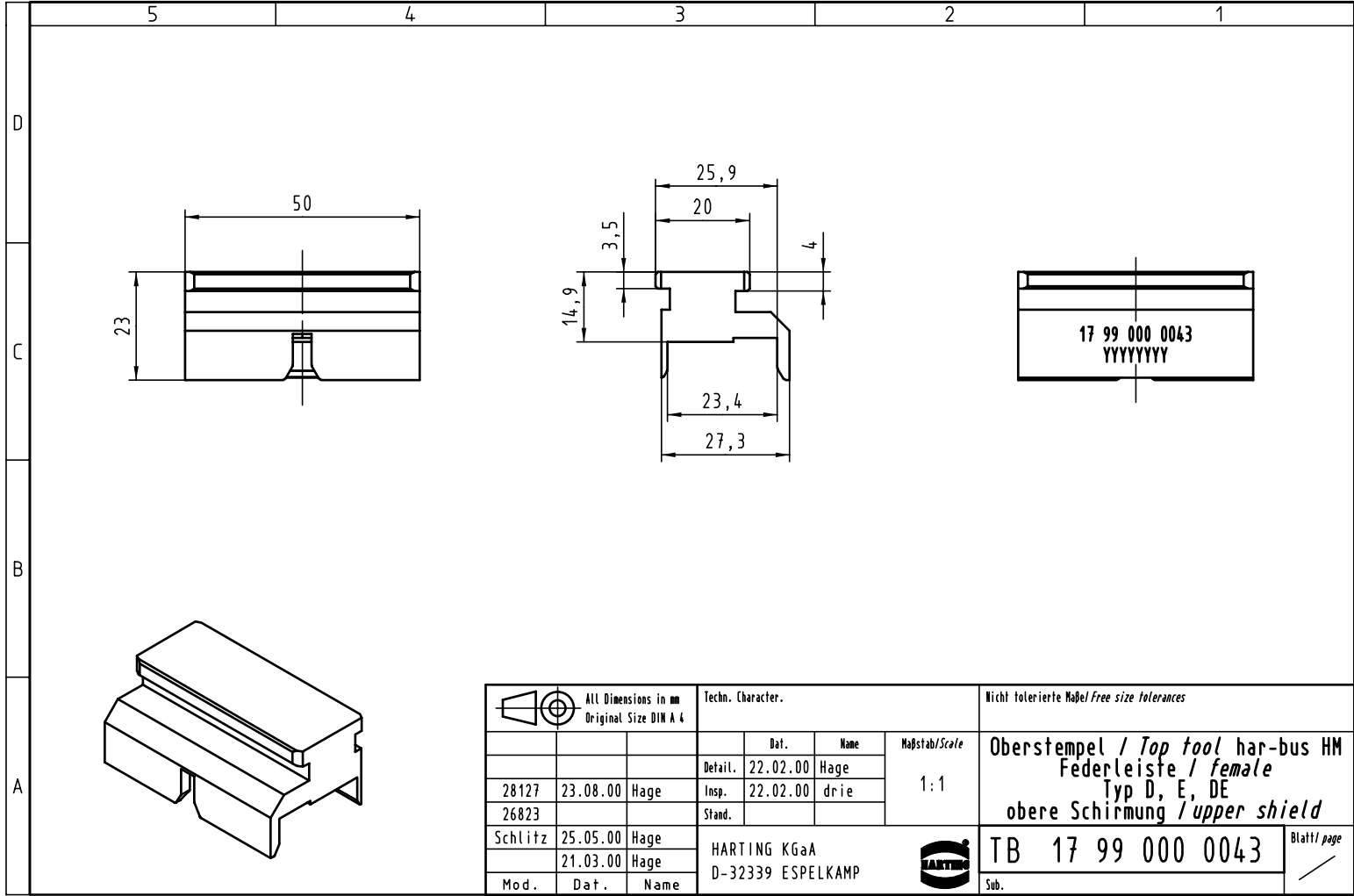
Excellent Integrated System Limited

Stocking Distributor

Click to view price, real time Inventory, Delivery & Lifecycle Information:

[Harting](#)
[17990000043](#)

For any questions, you can email us directly:
sales@integrated-circuit.com



All Dimensions in mm Original Size DIN A 4			Techn. Character.				Nicht tolerierte Maß/Free size tolerances	
Mod.	Dat.	Name	Detail.	Dat.	Name	Maßstab/Scale	Oberstempel / Top tool har-bus HM Federleiste / female Typ D, E, DE obere Schirmung / upper shield	Blatt/ page
28127	23.08.00	Hage	Insp.	22.02.00	drie			
26823			Stand.					
Schlitz	25.05.00	Hage	HARTING KGaA					
	21.03.00	Hage	D-32339 ESPELKAMP					