

Excellent Integrated System Limited

Stocking Distributor

Click to view price, real time Inventory, Delivery & Lifecycle Information:

[Harting](#)
[17990000051](#)

For any questions, you can email us directly:
sales@integrated-circuit.com

5

4

3

2

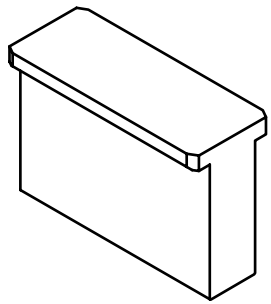
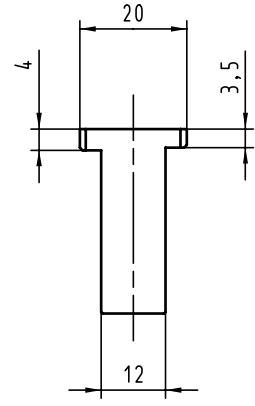
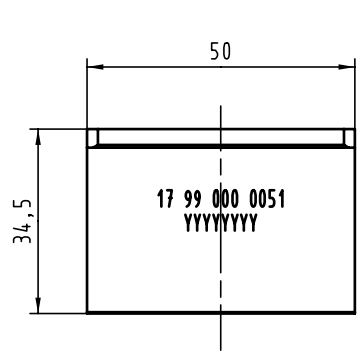
1

D

C

B

A



All Dimensions in mm Original Size DIN A 4			Techn. Character.				Nicht tolerierte Maßel Free size tolerances	
			Def.	Date	Name	Maßstab/Scale 1:1	Einpreßstempel / Press-in die unteres Schirmblech / lower shield Typ A, B 25, AB 25, D, E	
			Detail.	22.02.00	Hage			
			Insp.	22.02.00	drie			
			Stand.					
26823			HARTING KGaA				TB 17 99 000 0051	Blatt/ page
	21.03.00	Hage	D-32339 ESPELKAMP					
Mod.	Dat.	Name					Sub.	