

Excellent Integrated System Limited

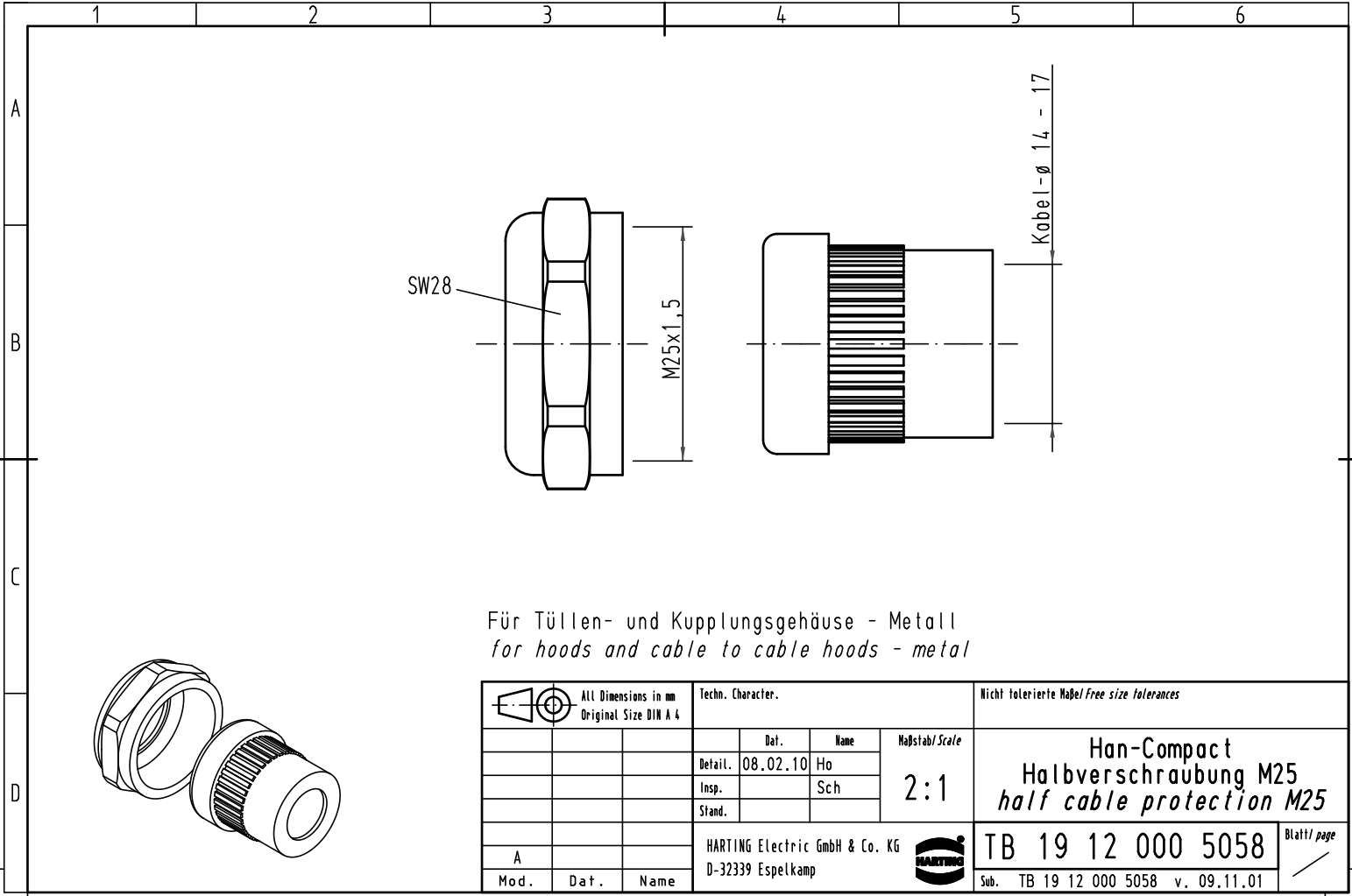
Stocking Distributor

Click to view price, real time Inventory, Delivery & Lifecycle Information:

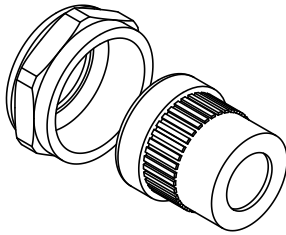
[Harting](#)
[19120005058](#)



For any questions, you can email us directly:
sales@integrated-circuit.com

Alle Rechte vorbehalten/ All rights reserved



Für Tüllen- und Kupplungsgehäuse - Metall
 for hoods and cable to cable hoods - metal



 All Dimensions in mm Original Size DIN A 4			Techn. Character.			Nicht tolerierte Maß/Free size tolerances			
						Maßstab/Scale 2:1	Han-Compact Halbverschraubung M25 <i>half cable protection M25</i>		
			Detail.	08.02.10	Ho				
			Insp.		Sch				
			Stand.						
A			HARTING Electric GmbH & Co. KG				TB 19 12 000 5058		Blatt/ page
Mod.	Dat.	Name	D-32339 Espelkamp				Sub. TB 19 12 000 5058 v. 09.11.01		/