

Excellent Integrated System Limited

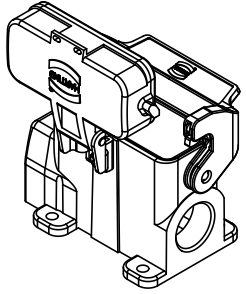
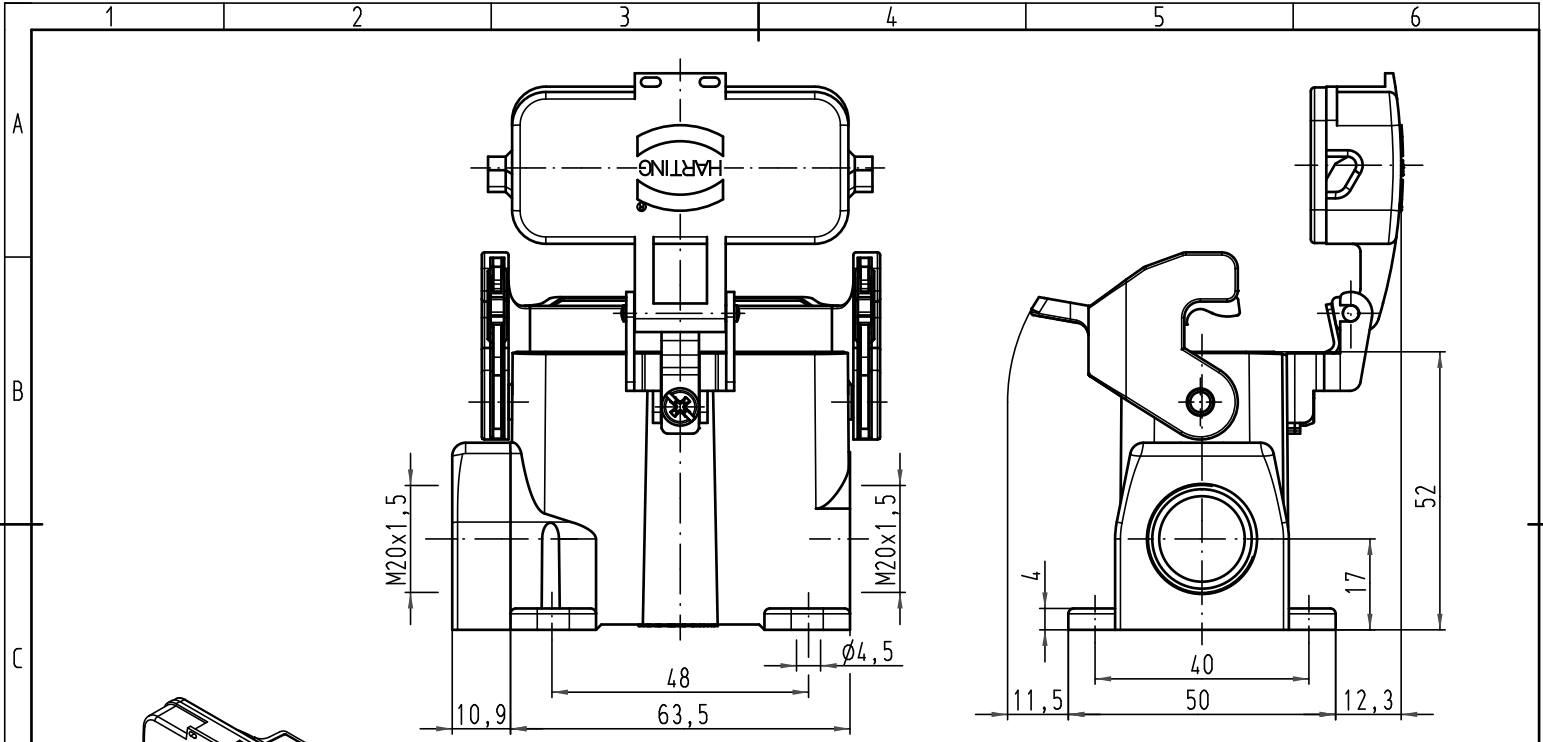
Stocking Distributor

Click to view price, real time Inventory, Delivery & Lifecycle Information:

[Harting](#)
[19200100295](#)

For any questions, you can email us directly:
sales@integrated-circuit.com

Alle Rechte vorbehalten/ All rights reserved



All Dimensions in mm Original Size DIN A 4			Techn. Character.			Nicht tolerierte Maß/Free size tolerances			
			Dat. 13.04.10	Name Ho	Maßstab/Scale 1:1	Han 10A-asg2-LB-K-M20 Sockelgehäuse housing surface mounting			
			Insp.	Be					
			Stand.						
A			HARTING Electric GmbH & Co. KG D-32339 Espelkamp				TB 19 20 010 0295		Blatt/ page
Mod.	Dat.	Name					Sub. TB 19 20 010 0295 v. 25.01.02		