

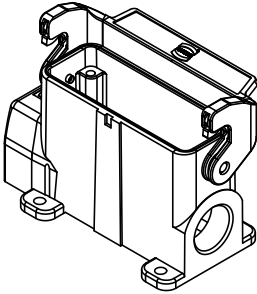
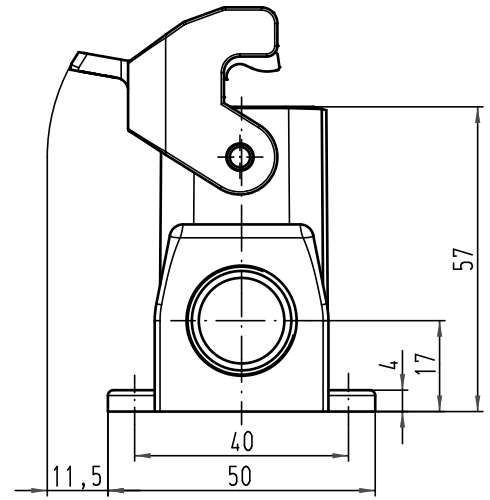
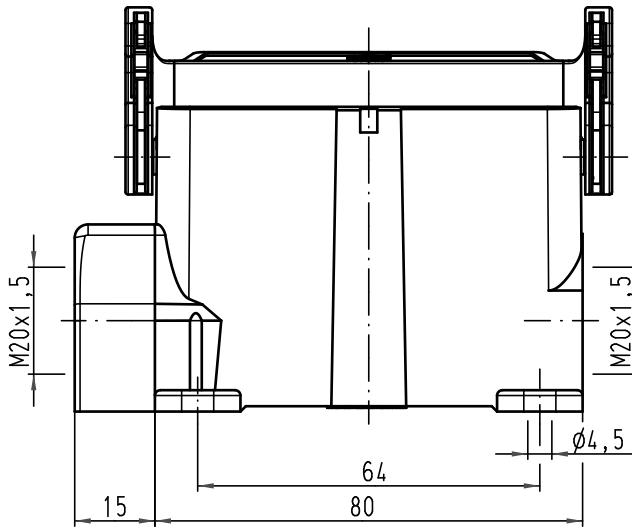
## Excellent Integrated System Limited



Stocking Distributor

Click to view price, real time Inventory, Delivery & Lifecycle Information:

[Harting](#)  
[19200160290](#)

For any questions, you can email us directly:  
[sales@integrated-circuit.com](mailto:sales@integrated-circuit.com)



 All Dimensions in mm Original Size DIN A 4			Techn. Character.			Nicht tolerierte Maß/Free size tolerances	
			Detail.	25.02.10	Ho	Maßstab/Scale <b>1:1</b>	<b>Han 16A-asg2-LB-M20</b> Sockelgehäuse mit 2 Kabelaugängen/ <i>housing surface mounting 2 side-entry</i>
			Insp.		Be		
			Stand.				
A			HARTING Electric GmbH & Co. KG				<b>TB 19 20 016 0290</b> Sub. TB 19 20 016 0290 v. 23.01.02
Mod.	Dat.	Name	D-32339 Espelkamp				
							Blatt/ page