

## Excellent Integrated System Limited

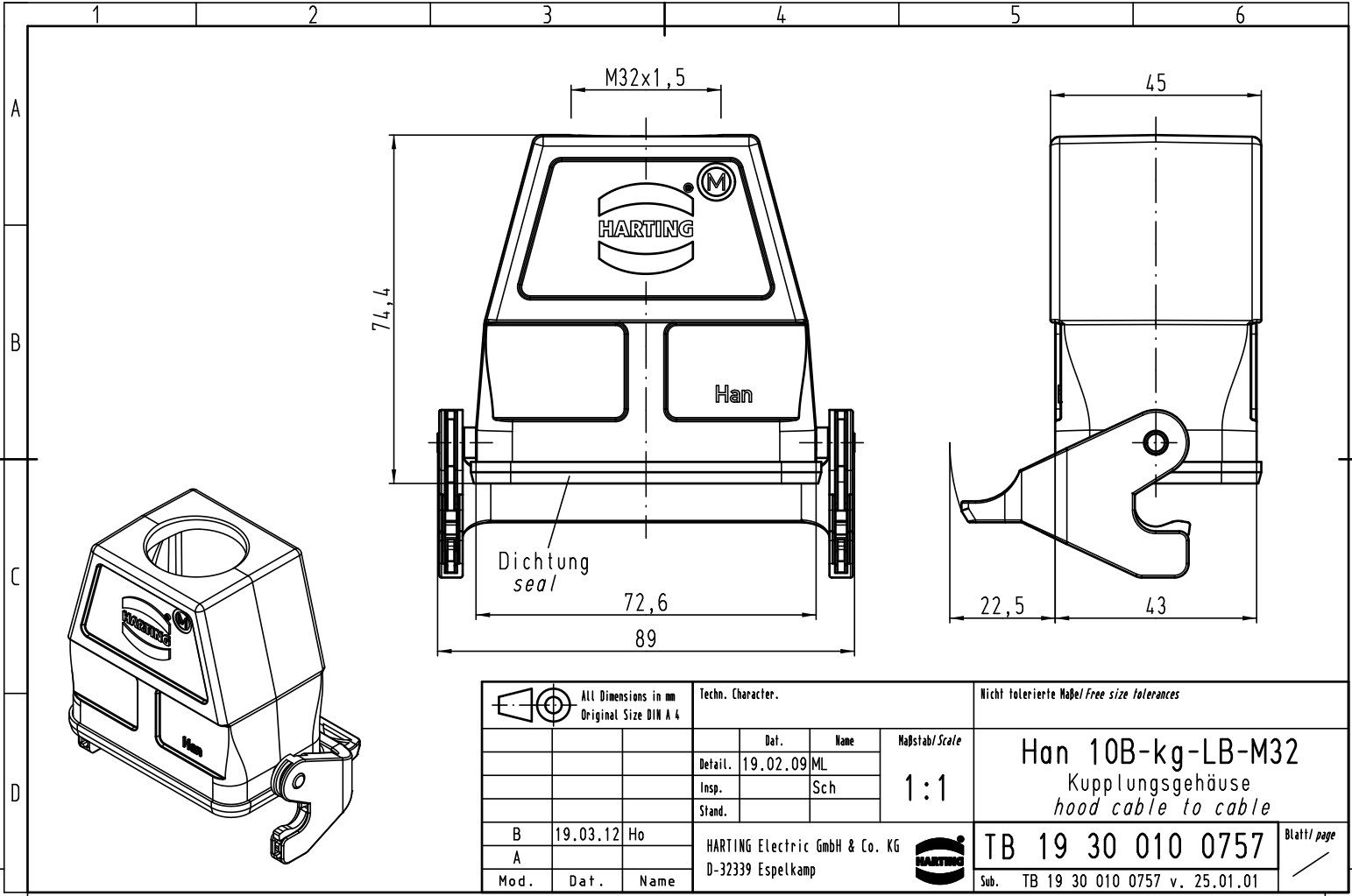
Stocking Distributor



Click to view price, real time Inventory, Delivery & Lifecycle Information:

[Harting](#)  
[19300100757](#)

For any questions, you can email us directly:  
[sales@integrated-circuit.com](mailto:sales@integrated-circuit.com)

Alle Rechte vorbehalten/ All rights reserved



|  All Dimensions in mm<br>Original Size DIN A 4 |          |      | Techn. Character.              |          |     | Nicht tolerierte Maß/Free size tolerances   |   |
|--|----------|------|--------------------------------|----------|-----|---|---|
|  |          |      | Detail.                        | 19.02.09 | ML  | 1:1   | <b>Han 10B-kg-LB-M32</b><br>Kupplungsgehäuse<br>hood cable to cable |
|  |          |      | Insp.                          |          | Sch |   |   |
|  |          |      | Stand.                         |          |     |   |   |
| B  | 19.03.12 | Ho   | HARTING Electric GmbH & Co. KG |          |     |  | <b>TB 19 30 010 0757</b>  |
| A  |          |      | D-32339 Espelkamp              |          |     |   |   |
| Mod.   | Dat.     | Name |                                |          |     | Sub.  | TB 19 30 010 0757 v. 25.01.01                                       |

Blatt/ page