

Excellent Integrated System Limited

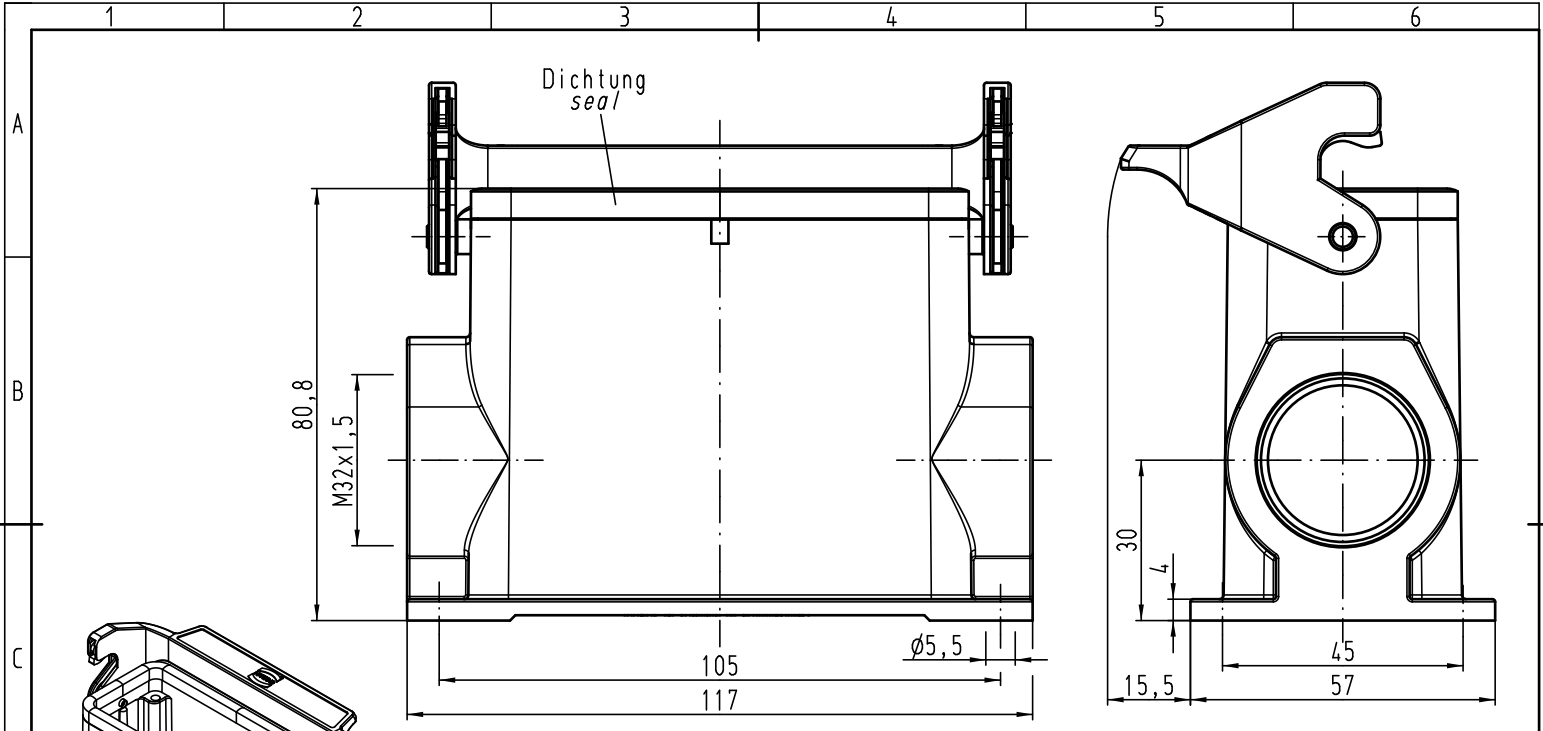
Stocking Distributor

Click to view price, real time Inventory, Delivery & Lifecycle Information:

[Harting](#)
[19300160252](#)

For any questions, you can email us directly:
sales@integrated-circuit.com

Alle Rechte vorbehalten/ All rights reserved



All Dimensions in mm Original Size DIN A 4			Techn. Character.			Nicht tolerierte Maß/Free size tolerances			
			Dat. 07.07.10	Name ML	Maßstab/Scale 1:1	Han 16B-asg1-LB-M32 Sockelgehäuse housing surface mounting			
			Insp.	Sch					
			Stand.						
B	30.05.11	Ho	HARTING Electric GmbH & Co. KG D-32339 Espelkamp				TB 19 30 016 0252		Blatt/ page Sub. TB 19 30 016 0252 v. 06.09.01
A									
Mod.	Dat.	Name							