

## Excellent Integrated System Limited

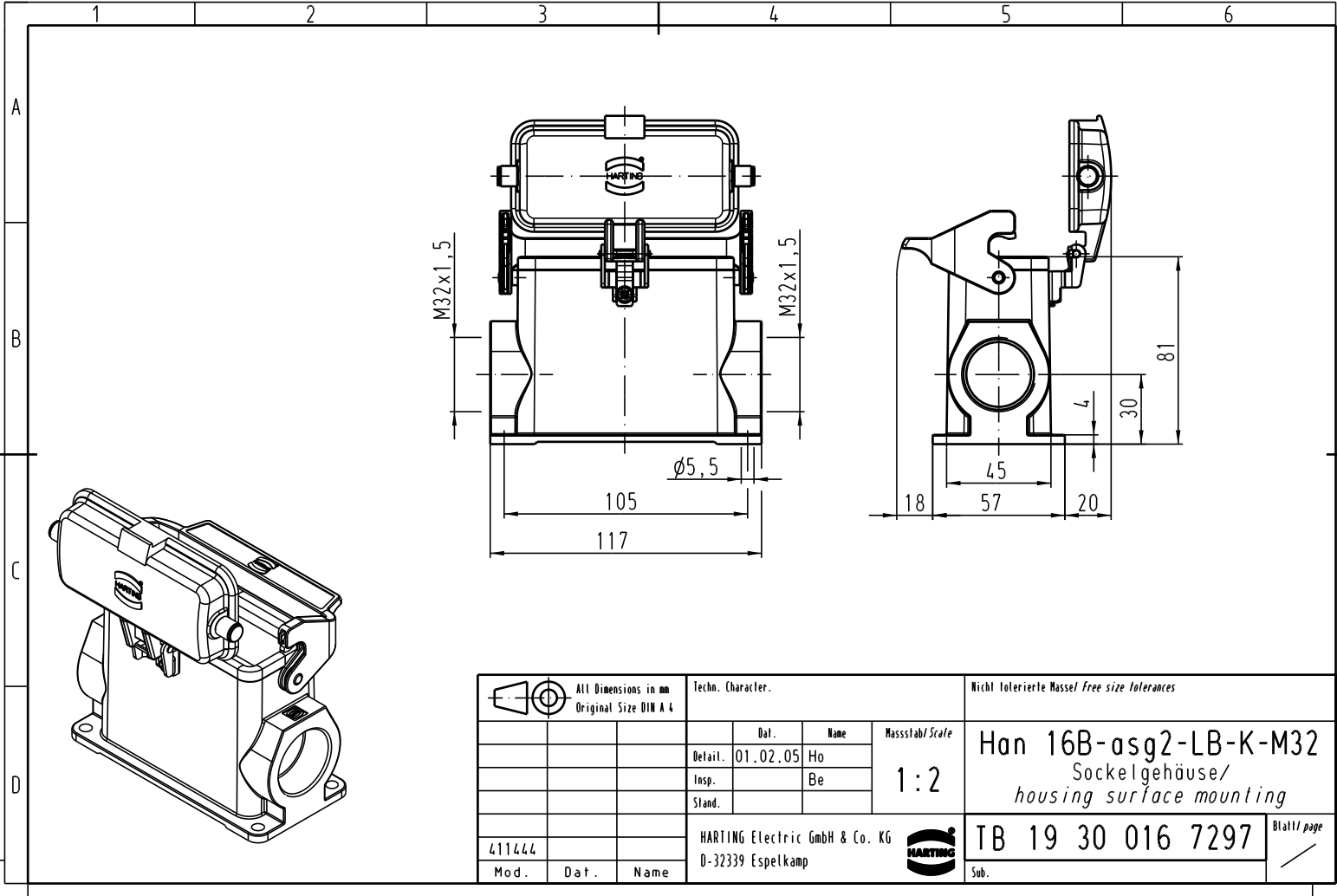
Stocking Distributor

Click to view price, real time Inventory, Delivery & Lifecycle Information:

[Harting](#)  
[19300167297](#)

For any questions, you can email us directly:  
[sales@integrated-circuit.com](mailto:sales@integrated-circuit.com)

Alle Rechte vorbehalten/ All rights reserved



All Dimensions in mm Original Size DIN A 4		Techn. Character.			Nicht tolerierte Masel free size tolerances	
			Dat.	Name	Massstab/Scale <b>1:2</b>	<b>Han 16B-asg2-LB-K-M32</b> Sockelgehäuse/ housing surface mounting
			Detail.	Ho		
			Insp.	Be		
			Stand.			
411444		HARTING Electric GmbH & Co. KG D-32339 Espelkamp			<b>TB 19 30 016 7297</b>	
Mod.	Dat.	Name				Blatt/ page Sub.