

Excellent Integrated System Limited

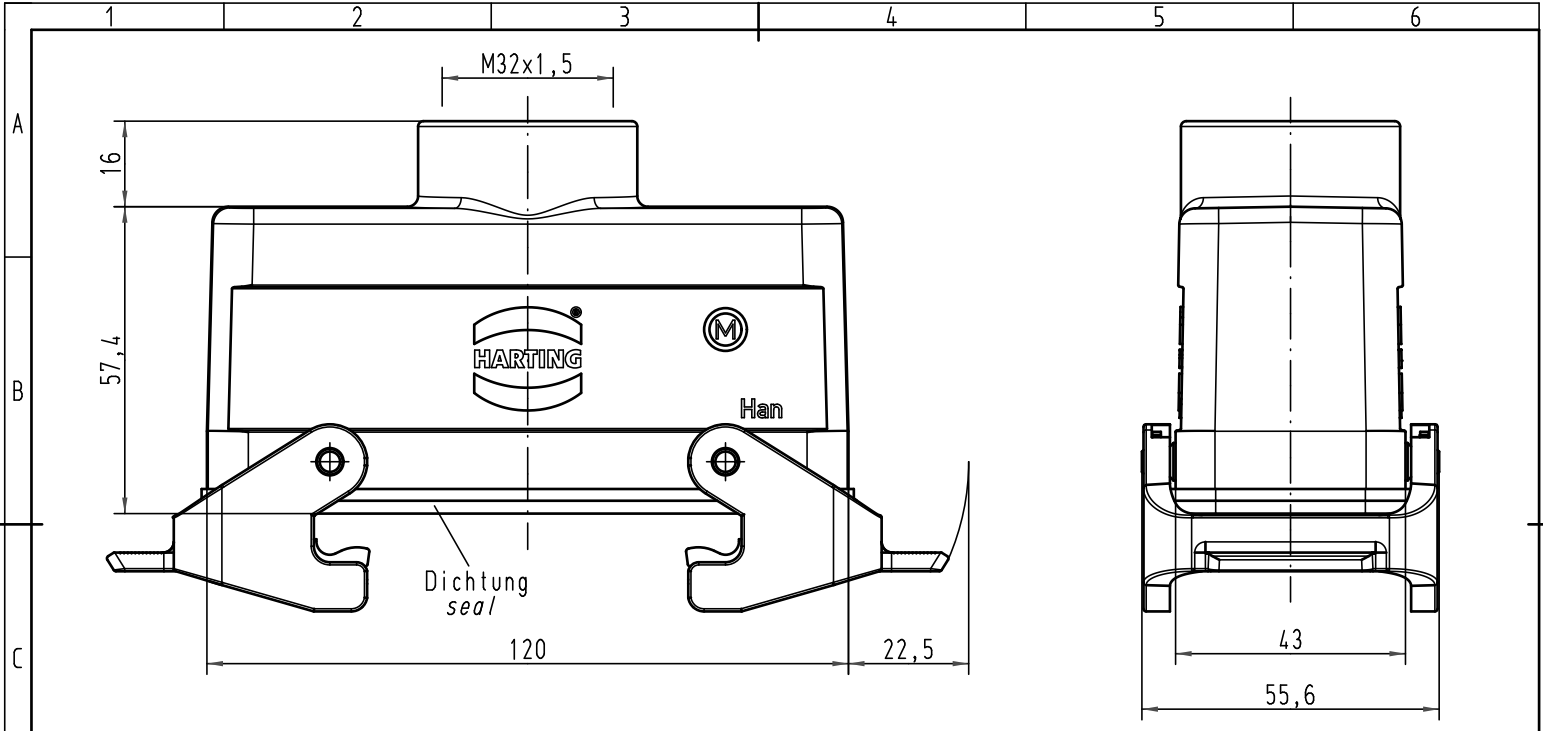
Stocking Distributor



Click to view price, real time Inventory, Delivery & Lifecycle Information:

[Harting](#)
[19340100732](#)

For any questions, you can email us directly:
sales@integrated-circuit.com

Alle Rechte vorbehalten/ All rights reserved



 All Dimensions in mm Original Size DIN A 4			Techn. Character.			Nicht tolerierte Maß/Free size tolerances			
						Han 10HvE-Kg-QB-M32 Kupplungsgehäuse hood cable to cable			
			Detail.	04.12.08	Holl				Maßstab/Scale 1:1
			Insp.		Sch				
			Stand.						
B	28.06.10	Rull	HARTING Electric GmbH & Co. KG D-32339 Espelkamp			TB 19 34 010 0732		Blatt/ page	
A						Sub.		/	
Mod.	Dat.	Name							