

## Excellent Integrated System Limited

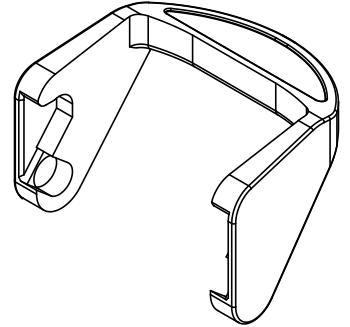
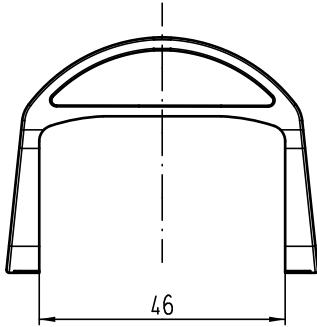
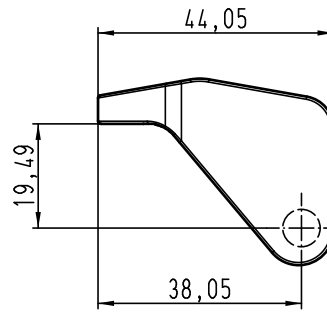
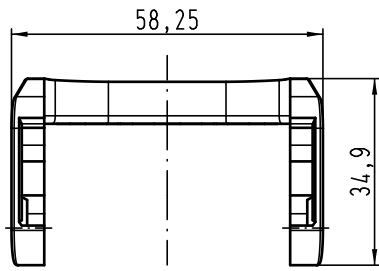
Stocking Distributor



Click to view price, real time Inventory, Delivery & Lifecycle Information:

[Harting](#)  
[19410005202](#)

For any questions, you can email us directly:  
[sales@integrated-circuit.com](mailto:sales@integrated-circuit.com)

Alle Rechte vorbehalten/ All rights reserved



 All Dimensions in mm Original Size DIN A 4			Techn. Character.			Nicht tolerierte Maß/Free size tolerances	
						<b>Han-Eco Bügel</b> grau <i>double lever, grey</i>	
			Detail.	06.05.11	Spr		<b>1:1</b>
			Insp.		Be		
			Stand.				
A			HARTING Electric GmbH & Co. KG				<b>TB 19 41 000 5202</b>
Mod.	Dat.	Name	D-32339 Espelkamp				