

Excellent Integrated System Limited

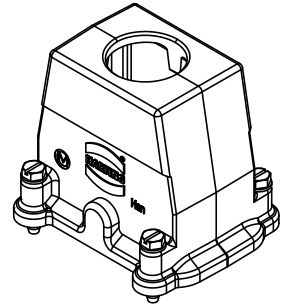
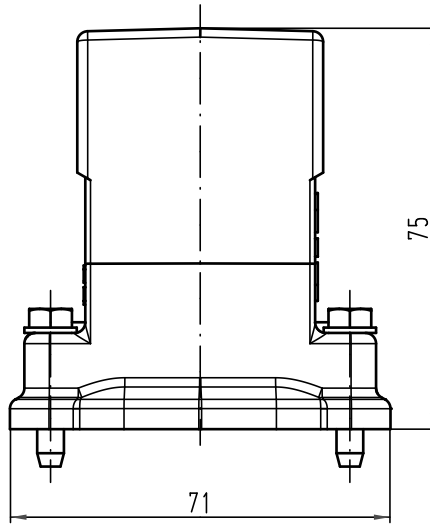
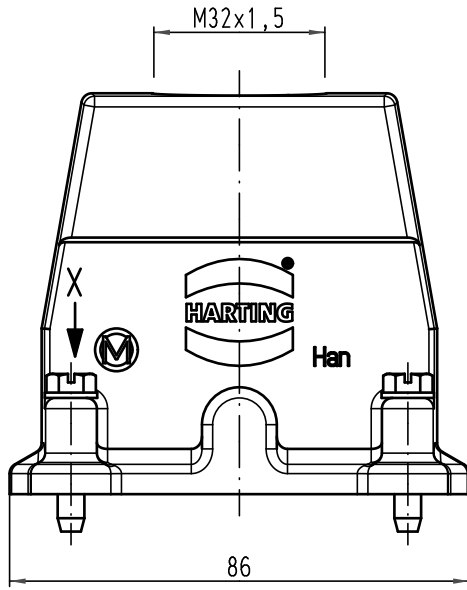
Stocking Distributor

Click to view price, real time Inventory, Delivery & Lifecycle Information:

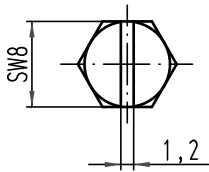
[Harting](#)
[19620100442](#)

For any questions, you can email us directly:
sales@integrated-circuit.com

Alle Rechte vorbehalten/ All rights reserved



X (2:1)



All Dimensions in mm Original Size DIN A 4			Techn. Character.			Nicht tolerierte Maße/ Free size tolerances	
			Detail.	Dat.	Name	Maßstab/Scale 1:1	Han 10EMV-gg-M32 Tüllengehäuse hood
			Insp.	11.11.10	gru		
			Stand.		Tie		
A			HARTING Electric GmbH & Co. KG				TB 19 62 010 0442
Mod.	Dat.	Name	D-32339 Espelkamp				