

Excellent Integrated System Limited

Stocking Distributor

Click to view price, real time Inventory, Delivery & Lifecycle Information:

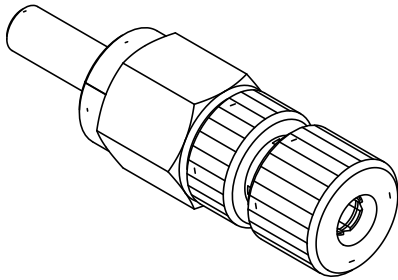
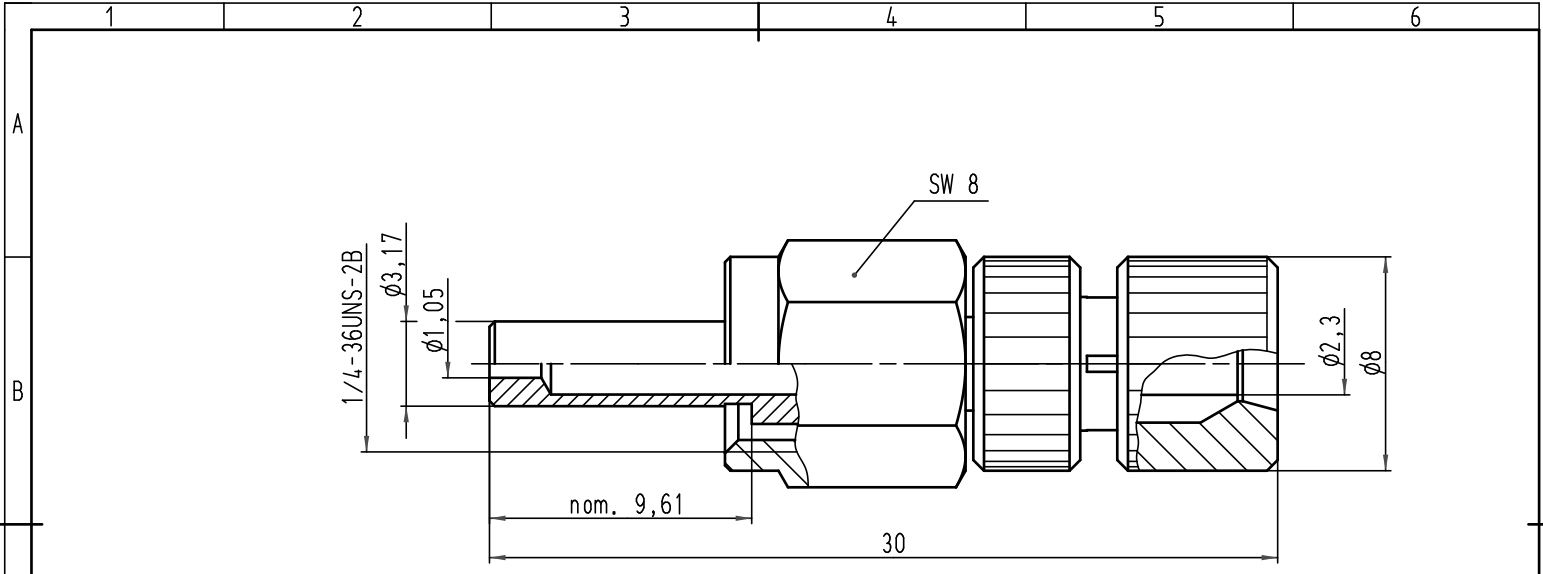
[Harting](#)

[20100011212](#)

For any questions, you can email us directly:

sales@integrated-circuit.com

Alle Rechte vorbehalten/ All rights reserved



			Techn. Character.			Nicht tolerierte Maß/Free size tolerances			
						Maßstab/Scale 5:1	F-SMA Schnellmontagestecker <i>F-SMA Quick-assembly connector</i> 1,0 / 2,2mm POF		
			Detail.	06.03.01	Dy				
			Insp.		SDT				
413679	20.02.08	PR	Stand.						
413262	10.10.07	Ho	HARTING Electric GmbH & Co. KG D-32339 Espelkamp				TB 20 10 001 1212		
29293									
Mod.	Dat.	Name				Sub.			