

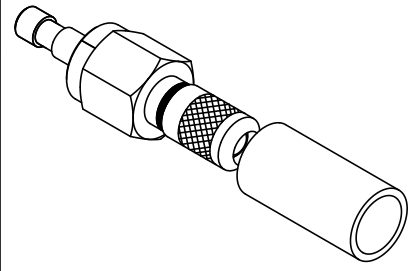
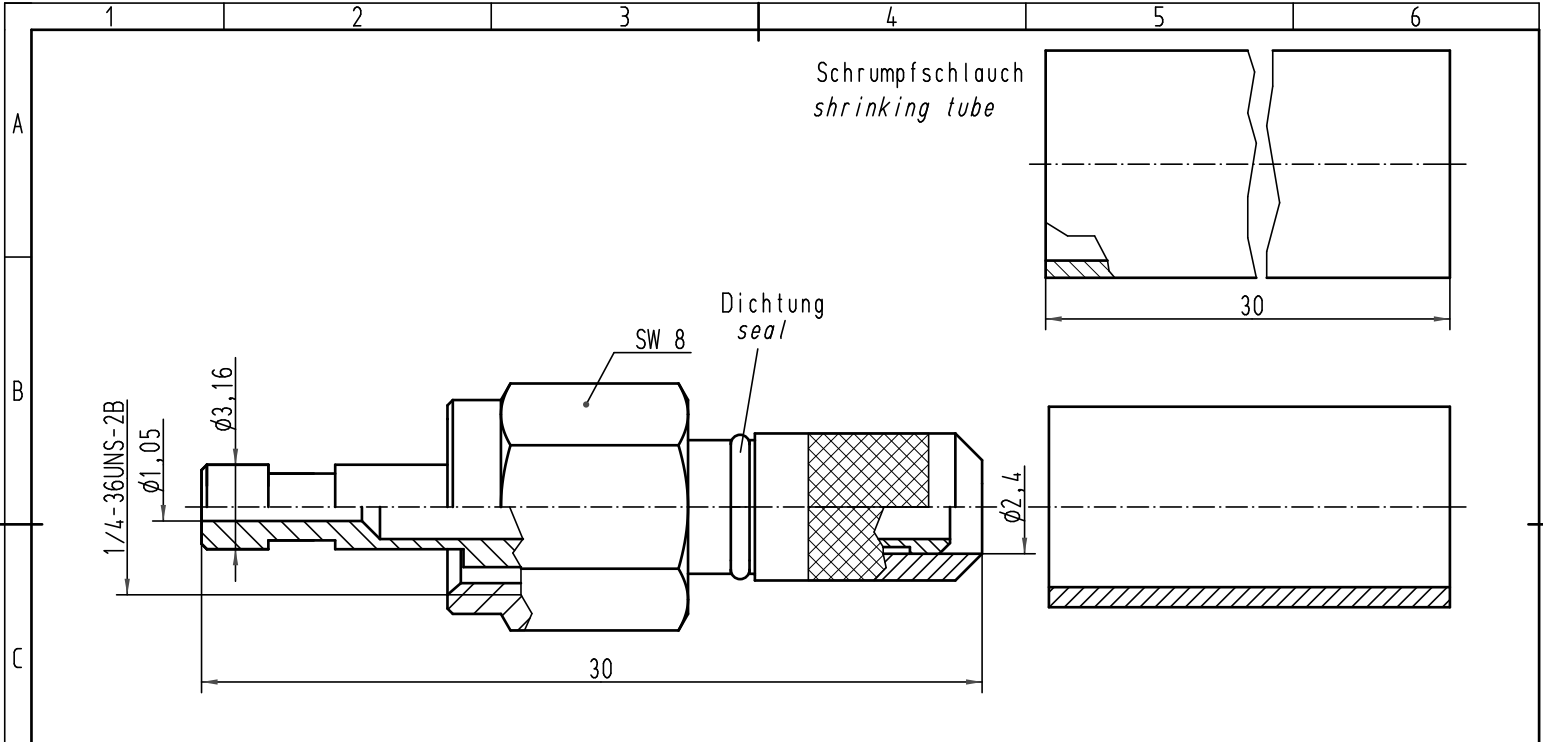
Excellent Integrated System Limited

Stocking Distributor

Click to view price, real time Inventory, Delivery & Lifecycle Information:

[Harting](#)
[20100011221](#)

For any questions, you can email us directly:
sales@integrated-circuit.com



All Dimensions in mm Original Size DIN A 4			Techn. Character.			Nicht tolerierte Maß/Free size tolerances	
			Detail.	Dat.	Name	Maßstab/Scale 5:1	F-SMA Steckverbinder F-SMA connector 1mm/2,2mm POF Sercos 6.0
413894	27.05.08	Bor	Insp.	06.03.01	DY		
413686	05.03.08	Pr	Stand.		SDT		
413262	10.10.07	Ho					
29293							
Mod.	Dat.	Name	HARTING Electric GmbH & Co. KG D-32339 Espelkamp				TB 20 10 001 1221
						Sub.	Blatt/ page