

Excellent Integrated System Limited

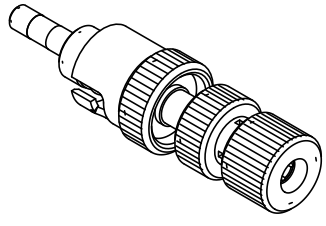
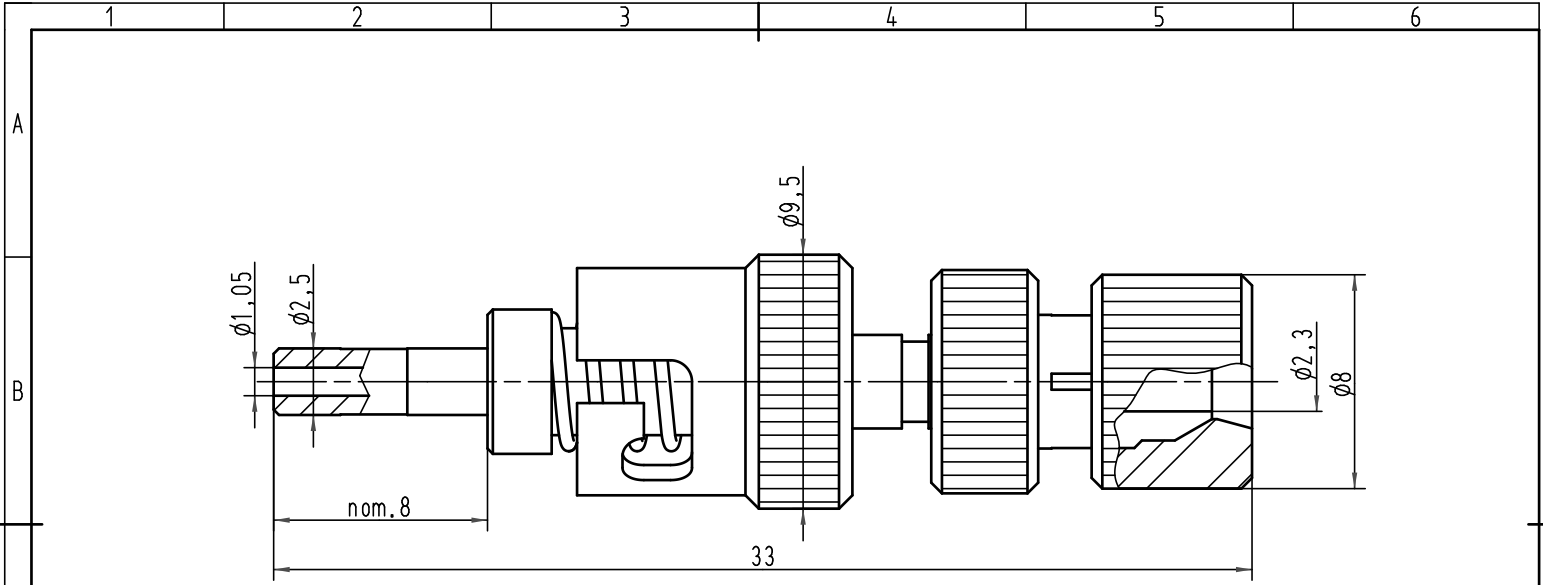
Stocking Distributor

Click to view price, real time Inventory, Delivery & Lifecycle Information:

[Harting](#)
[20100012212](#)

For any questions, you can email us directly:
sales@integrated-circuit.com

Alle Rechte vorbehalten/ All rights reserved



			Techn. Character.			Nicht tolerierte Maß/Free size tolerances		
			Dat. 06.03.01	Name DY	Maßstab/Scale 5:1	FH-ST Prüfstecker <i>FH-ST quick-assembly connector</i> 1mm POF		
			Insp.	SDT				
413679	20.02.08	PR	Stand.					
413262	10.10.07	Ho	HARTING Electric GmbH & Co. KG D-32339 Espelkamp			TB 20 10 001 2212		
29293						Blatt/ page		
Mod.	Dat.	Name	Sub.					