

Excellent Integrated System Limited

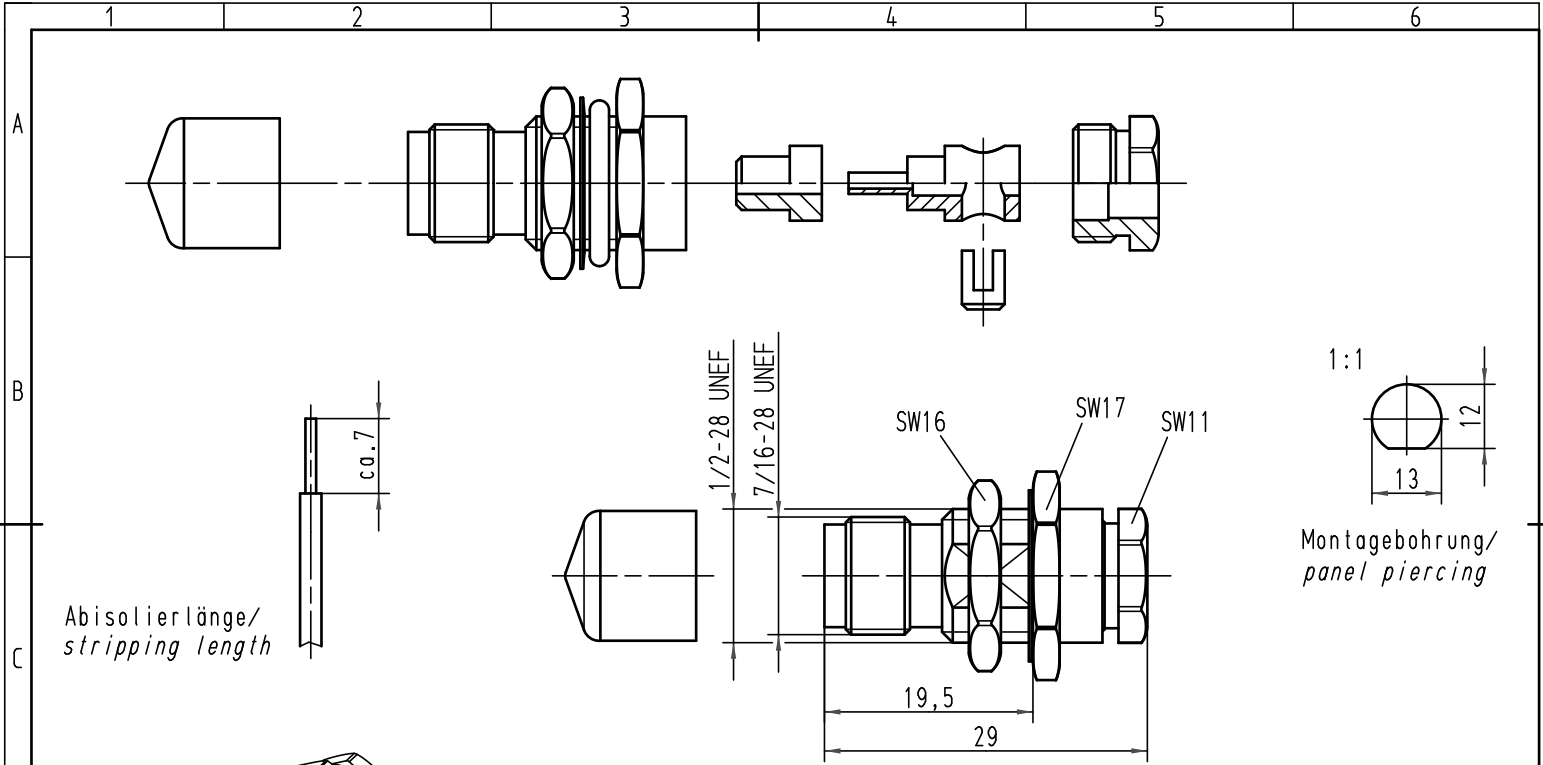
Stocking Distributor

Click to view price, real time Inventory, Delivery & Lifecycle Information:

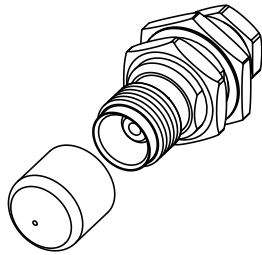
[Harting](#)
[20100016233](#)

For any questions, you can email us directly:
sales@integrated-circuit.com

Alle Rechte vorbehalten/ All rights reserved



Abisolierlänge/
stripping length



			Techn. Character.			Nicht tolerierte Masse/ Free size tolerances											
			<table border="1"> <tr> <th>Dat.</th> <th>Name</th> <th rowspan="4">Maßstab/Scale</th> </tr> <tr> <td>03.11.03</td> <td>Ste</td> </tr> <tr> <td></td> <td>WIT</td> </tr> <tr> <td></td> <td></td> </tr> </table>	Dat.	Name	Maßstab/Scale	03.11.03	Ste		WIT			2:1 1:1		F-TNC-Kabelbuchse für LWL-Kabel $\phi 2,2$ POF		
Dat.	Name	Maßstab/Scale															
03.11.03	Ste																
	WIT																
413758	19.03.08	Pr	HARTING Electric GmbH & Co. KG D-32339 Espelkamp			TB 20 10 001 6233		Blatt/ page									
410742						Sub.											
Mod.	Dat.	Name															