

Excellent Integrated System Limited

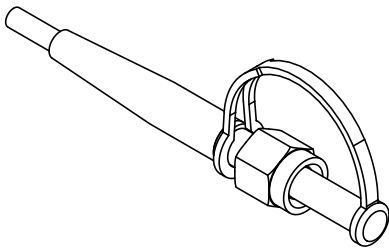
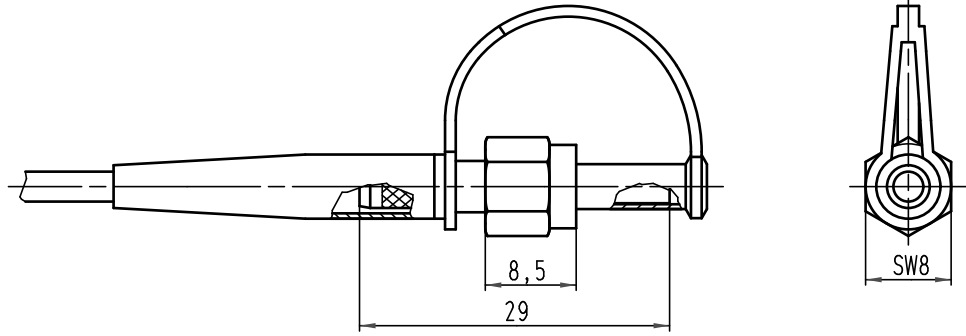
Stocking Distributor



Click to view price, real time Inventory, Delivery & Lifecycle Information:

[Harting](#)
[20101251212](#)

For any questions, you can email us directly:
sales@integrated-circuit.com

Alle Rechte vorbehalten/ All rights reserved



 All Dimensions in mm Original Size DIN A 4			Techn. Character.			Nicht tolerierte Masse/ Free size tolerances			
			Detail.	22.07.03	Ho	Maßstab/Scale 2:1	LWL-Steckverbinder		
			Insp.		KR				
			Stand.						
413758	20.03.08	Pr	HARTING Electric GmbH & Co. KG				TB 20 10 125 1212		Blatt/ page
410622			D-32339 Espelkamp				Sub.		/
Mod.	Dat.	Name							