

## Excellent Integrated System Limited

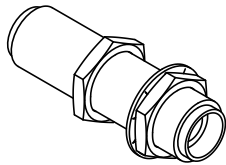
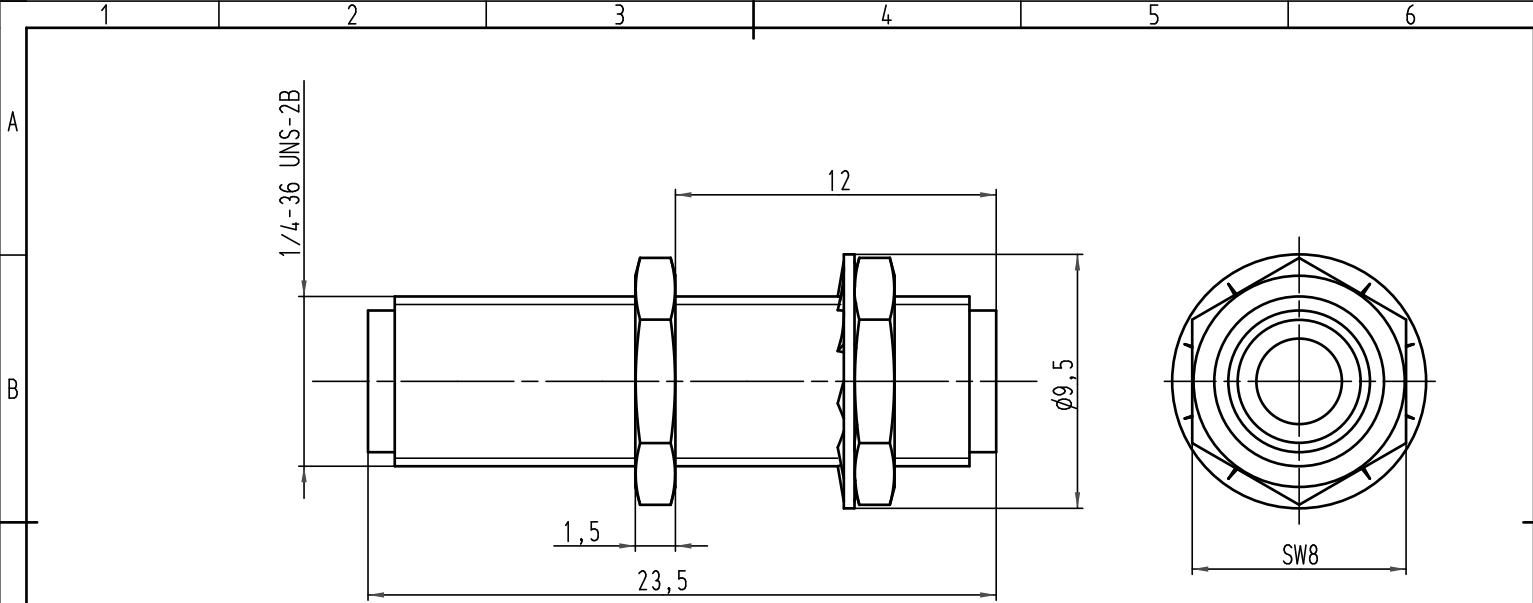
Stocking Distributor

Click to view price, real time Inventory, Delivery & Lifecycle Information:

[Harting](#)  
[20800001071](#)

For any questions, you can email us directly:  
[sales@integrated-circuit.com](mailto:sales@integrated-circuit.com)

Alle Rechte vorbehalten/ All rights reserved



All Dimensions in mm Original Size DIN A 4			Techn. Character.			Nicht tolerierte Masse! Free size tolerances		
						Maßstab/Scale <b>5:1</b>	<b>Kupplungshülse</b> coupling barrel	
			Detail.	22.07.03	Ho			
			Insp.		KR			
			Stand.					
413758	20.03.08	Pr	HARTING Electric GmbH & Co. KG				<b>TB 20 80 000 1071</b>	Blatt/ page
410622			D-32339 Espelkamp					
Mod.	Dat.	Name						