

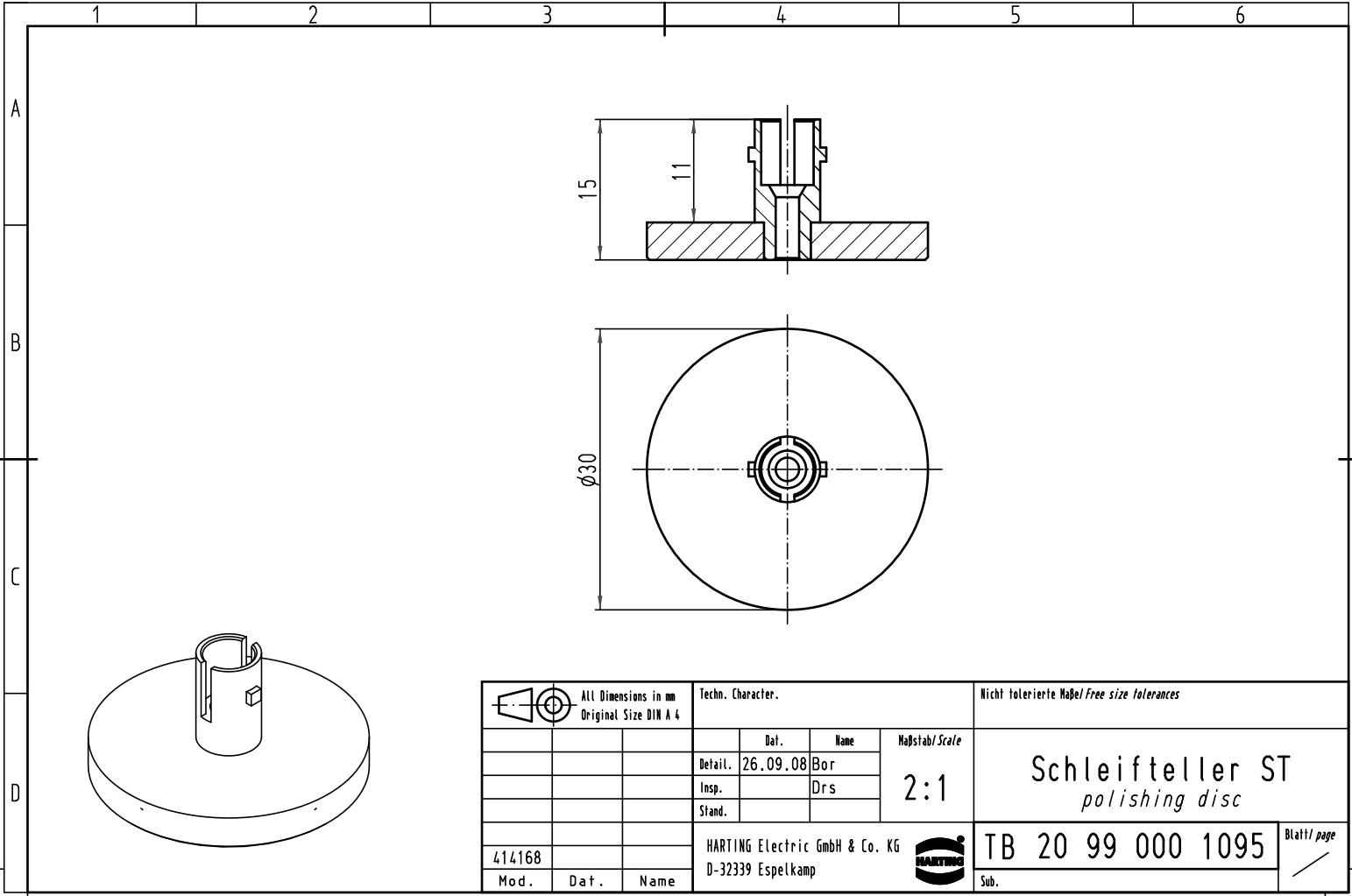
Excellent Integrated System Limited

Stocking Distributor

Click to view price, real time Inventory, Delivery & Lifecycle Information:

[Harting](#)
[20990001095](#)

For any questions, you can email us directly:
sales@integrated-circuit.com



			Techn. Character.			Nicht tolerierte Maß/Free size tolerances		
						Maßstab/Scale 2:1	Schleifteller ST <i>polishing disc</i>	
			Detail.	26.09.08	Bor			
			Insp.		Drs			
			Stand.					
414168			HARTING Electric GmbH & Co. KG D-32339 Espelkamp				TB 20 99 000 1095	
Mod.	Dat.	Name						