

Excellent Integrated System Limited

Stocking Distributor

Click to view price, real time Inventory, Delivery & Lifecycle Information:

[Harting](#)
[2101000009](#)

For any questions, you can email us directly:
sales@integrated-circuit.com

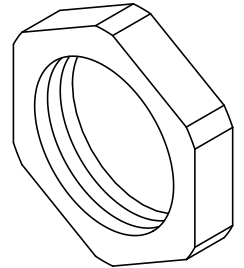
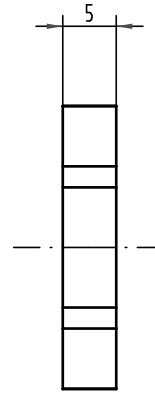
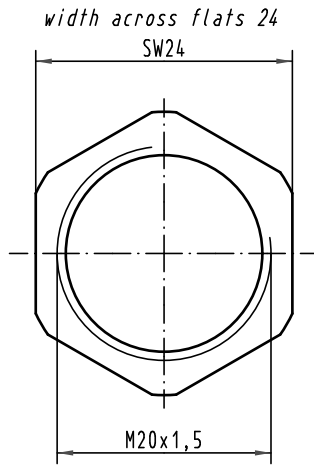
5



4

3

2

1



	All Dimensions in mm Original Size DIN A 4			Techn. Character.			Nicht tolerierte Maß/Free size tolerances		
					Dat.	Name	Maßstab/Scale 2:1	Kontermutter M20x1,5 Locking nut M20x1,5	
				Detail.	17.10.01	Pae			
				Insp.		Sr			
			Stand.						
EC01875	12.05.10	DY	HARTING Electronics GmbH & Co. KG				TB 21 01 000 0009		Blatt/ page
30157			D-32339 ESPELKAMP				Sub.		/
Mod.	Dat.	Name							