

Excellent Integrated System Limited

Stocking Distributor

Click to view price, real time Inventory, Delivery & Lifecycle Information:

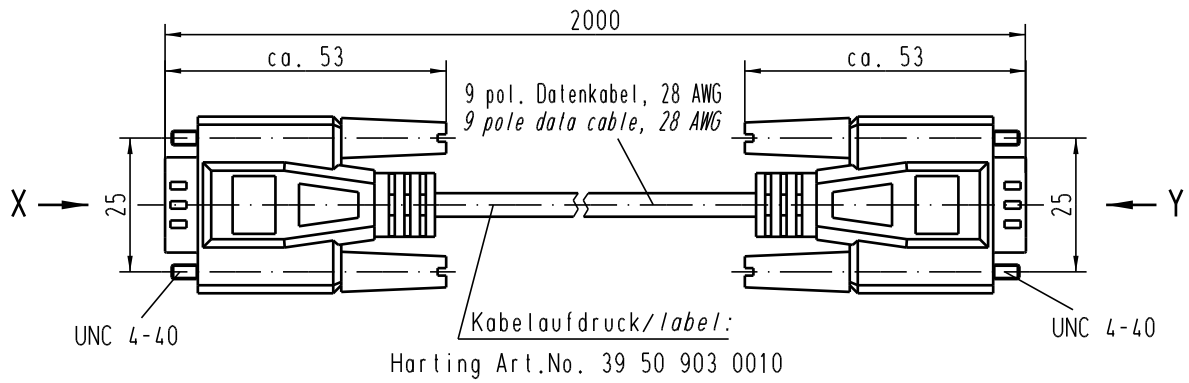
[Harting](#)

[39509030010](#)

For any questions, you can email us directly:

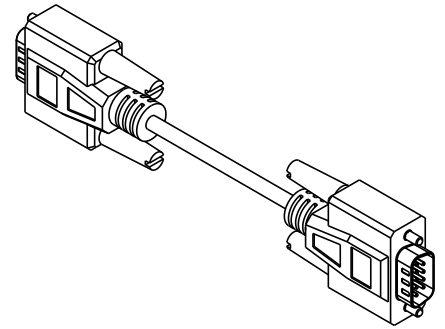
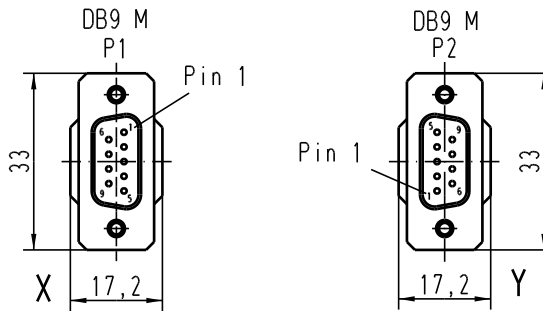
sales@integrated-circuit.com

Alle Rechte vorbehalten/ All rights reserved



Stromlaufplan/
circuit diagram

| P1 | P2 |
|--------|--------|
| 1 | 1 |
| 2 | 2 |
| 3 | 3 |
| 4 | 4 |
| 5 | 5 |
| 6 | 6 |
| 7 | 7 |
| 8 | 8 |
| 9 | 9 |
| SHIELD | SHIELD |



| | | | | | |
|---|-------------------|----------|---|---|----------------------------------|
| All Dimensions in mm Original Size DIN A 4 | Techn. Character. | | | Nicht tolerierte Masse free size tolerances | |
| | | Dat. | Name | Maststab/Scale | |
| | Detail. | 17.02.05 | Loe. | 1:1 | |
| | Insp. | | Be | | |
| | Stand. | | | | |
| 411516 | 15.03.05 | Loe. | HARTING Electric GmbH & Co. KG D-32339 Espelkamp | | |
| 411474 | | | | | |
| Mod. | Dat. | Name | | | TB 39 50 903 0010 Sub. |

Blatt/ page