

Excellent Integrated System Limited

Stocking Distributor

Click to view price, real time Inventory, Delivery & Lifecycle Information:

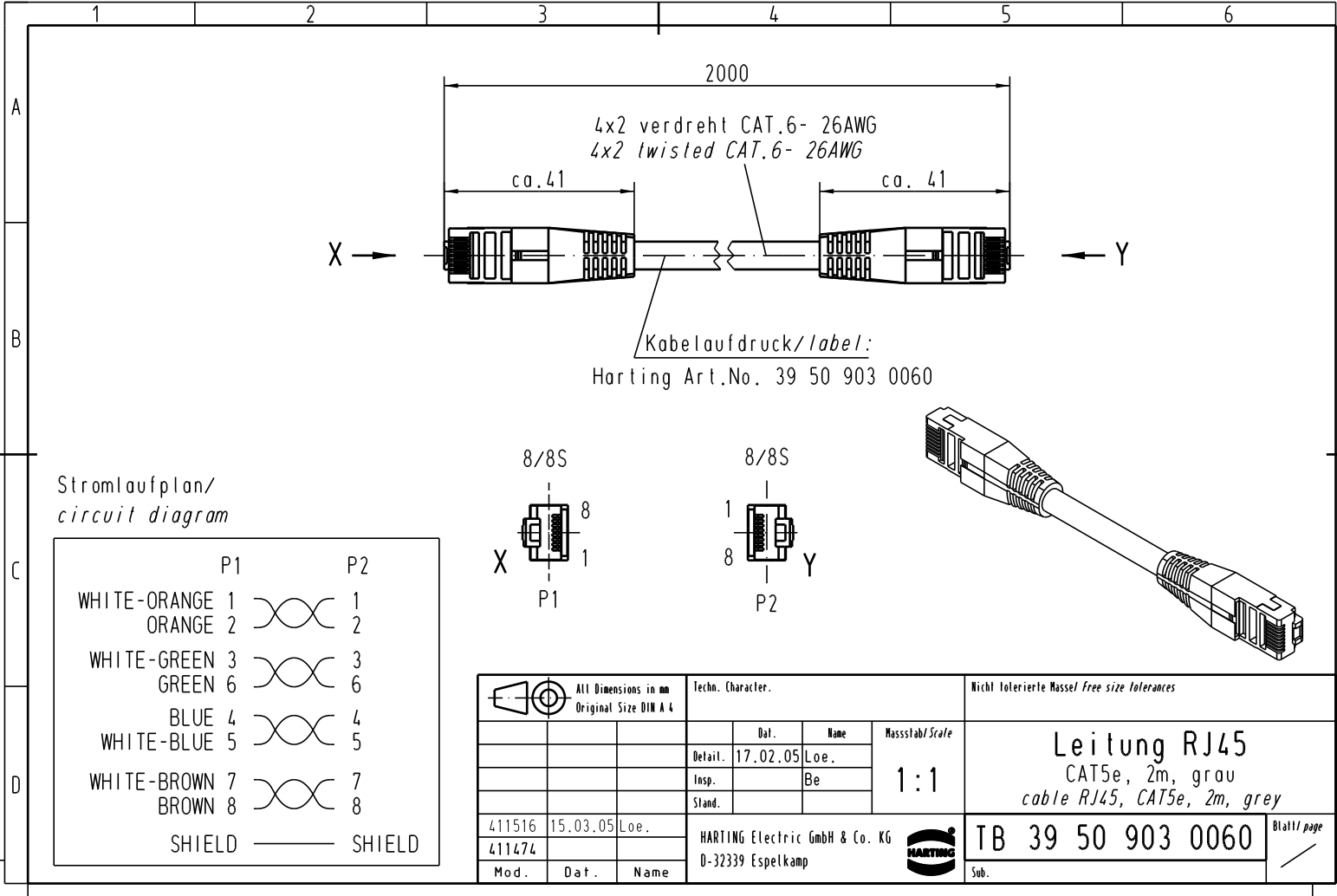
[Harting](#)

[39509030060](#)

For any questions, you can email us directly:

sales@integrated-circuit.com

Alle Rechte vorbehalten/ All rights reserved



Stromlaufplan/
circuit diagram

	P1		P2
WHITE-ORANGE	1	↔	1
ORANGE	2	↔	2
WHITE-GREEN	3	↔	3
GREEN	6	↔	6
BLUE	4	↔	4
WHITE-BLUE	5	↔	5
WHITE-BROWN	7	↔	7
BROWN	8	↔	8
SHIELD	—	—	SHIELD

All Dimensions in mm Original Size DIN A 4			Techn. Character.			Nicht tolerierte Masse free size tolerances		
			Dat.	Name	Maststab/Scale 1:1	Leitung RJ45 CAT5e, 2m, grau cable RJ45, CAT5e, 2m, grey		
			Detail.	Loe.				
			Insp.	Be				
			Stand.			TB 39 50 903 0060		
411516	15.03.05	Loe.	HARTING Electric GmbH & Co. KG					
411474			D-32339 Espelkamp			Sub.		
Mod.	Dat.	Name						