

Excellent Integrated System Limited

Stocking Distributor

Click to view price, real time Inventory, Delivery & Lifecycle Information:

[Harting](#)

[60110505102](#)

For any questions, you can email us directly:

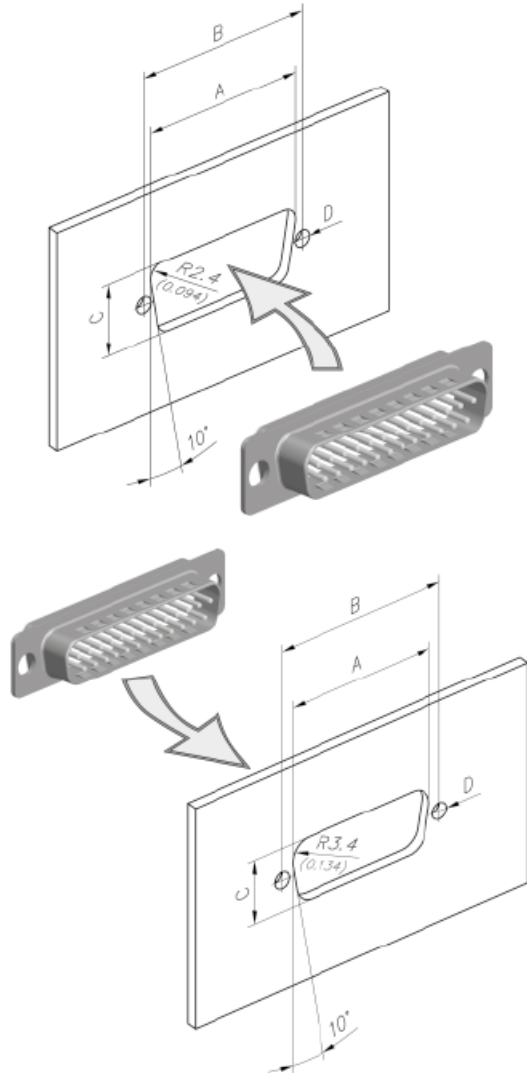
sales@integrated-circuit.com

D-Sub

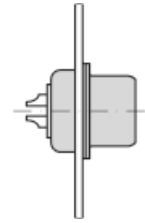


Panel cut outs / panel mountings

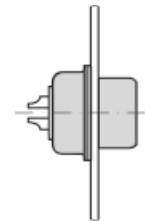
Panel cut outs



Front mounting

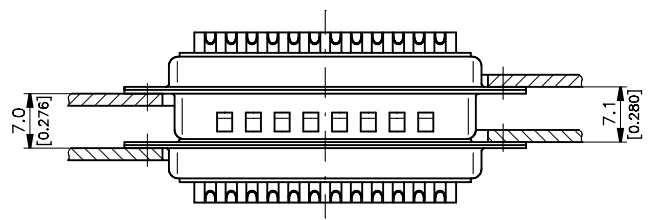
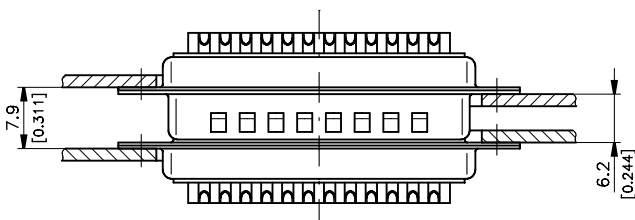


Rear mounting



No. of contacts	Mounting assembly	A ± 0.2	B ± 0.2	C ± 0.2
9	Front	22.2	25.0	12.3
	Rear	20.5	25.0	11.4
15	Front	30.5	33.3	12.3
	Rear	28.8	33.3	11.4
25	Front	44.3	47.0	12.3
	Rear	42.5	47.0	11.4
37	Front	60.7	63.5	12.3
	Rear	59.1	63.5	11.4

Panel mountings



For float mounting option please contact your local HARTING representative.

Dimensions in mm