

## Excellent Integrated System Limited

Stocking Distributor

Click to view price, real time Inventory, Delivery & Lifecycle Information:

[Harting](#)  
[60150405220](#)

For any questions, you can email us directly:  
[sales@integrated-circuit.com](mailto:sales@integrated-circuit.com)

5

4

3

2

1

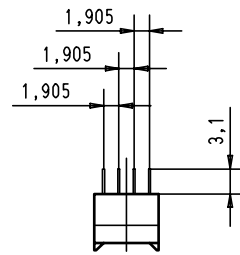
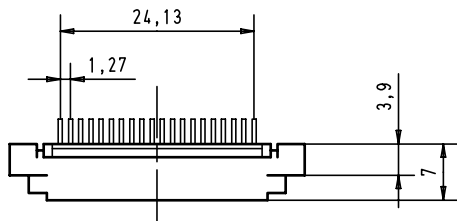
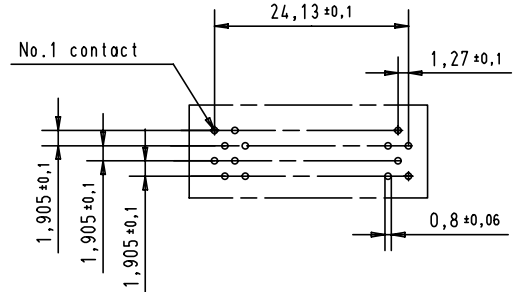
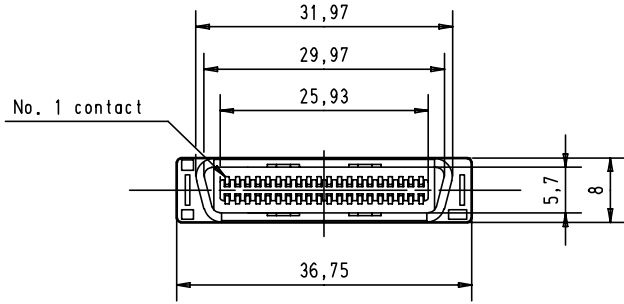
D



C

B

A

Printed Board Layout  
component side



			Det.	Name	 All Dim. in mm Orig. Size DIN A 4	<i>har.mik</i> <sup>®</sup> board to board/bellow 40 poles male connector with straight solder pins	Maßstab/ Scale 1,5:1
		Detail.	30-AUG-00	Alspace			
		Insp.					
		Stand.					
27941	30-AUG-00	Alspace	HARTING EURL F-95972 Paris			 TB 60 15 040 5220	Blatt/ Page 1 / 1
Mod.	Det.	Name	Sub.				