

## Excellent Integrated System Limited

Stocking Distributor

Click to view price, real time Inventory, Delivery & Lifecycle Information:

[Harting](#)  
[09000005019](#)

For any questions, you can email us directly:  
[sales@integrated-circuit.com](mailto:sales@integrated-circuit.com)

Alle Rechte vorbehalten/ All rights reserved

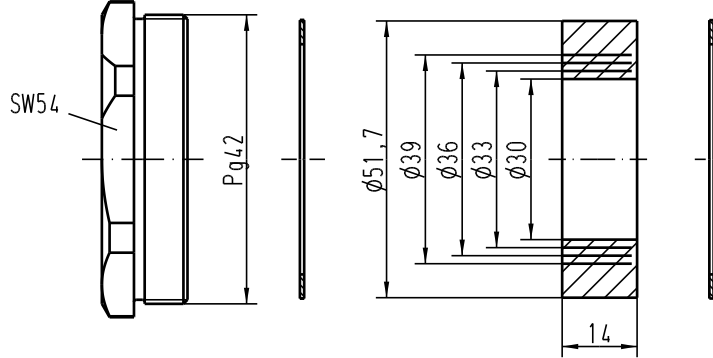
5

4



3

2

1



Kabel- $\phi$ / cable- $\phi$ : min.29; max.40

 All Dimensions in mm Original Size DIN A 4			Techn. Character.			Nicht tolerierte Masse/ free size tolerances	
				Dat.	Name	Masstab/Scale	<b>Verschraubung Metall/ cable sealing metal</b> für Standard-Gehäuse; Pg42 / for standard housings; Pg42
	Detail.	7.12.98	Kö	1:1			
	Insp.		SDT.				
	Stand.						
410862	23.11.04	Loe.	HARTING Electric GmbH & Co. KG			<b>TB 09 00 000 5019</b> Blatt/ page	
24863			D-32339 Espelkamp			Sub. TB 09 00 000 501. v. 1.2.93	
Mod.	Dat.	Name					