

## Excellent Integrated System Limited

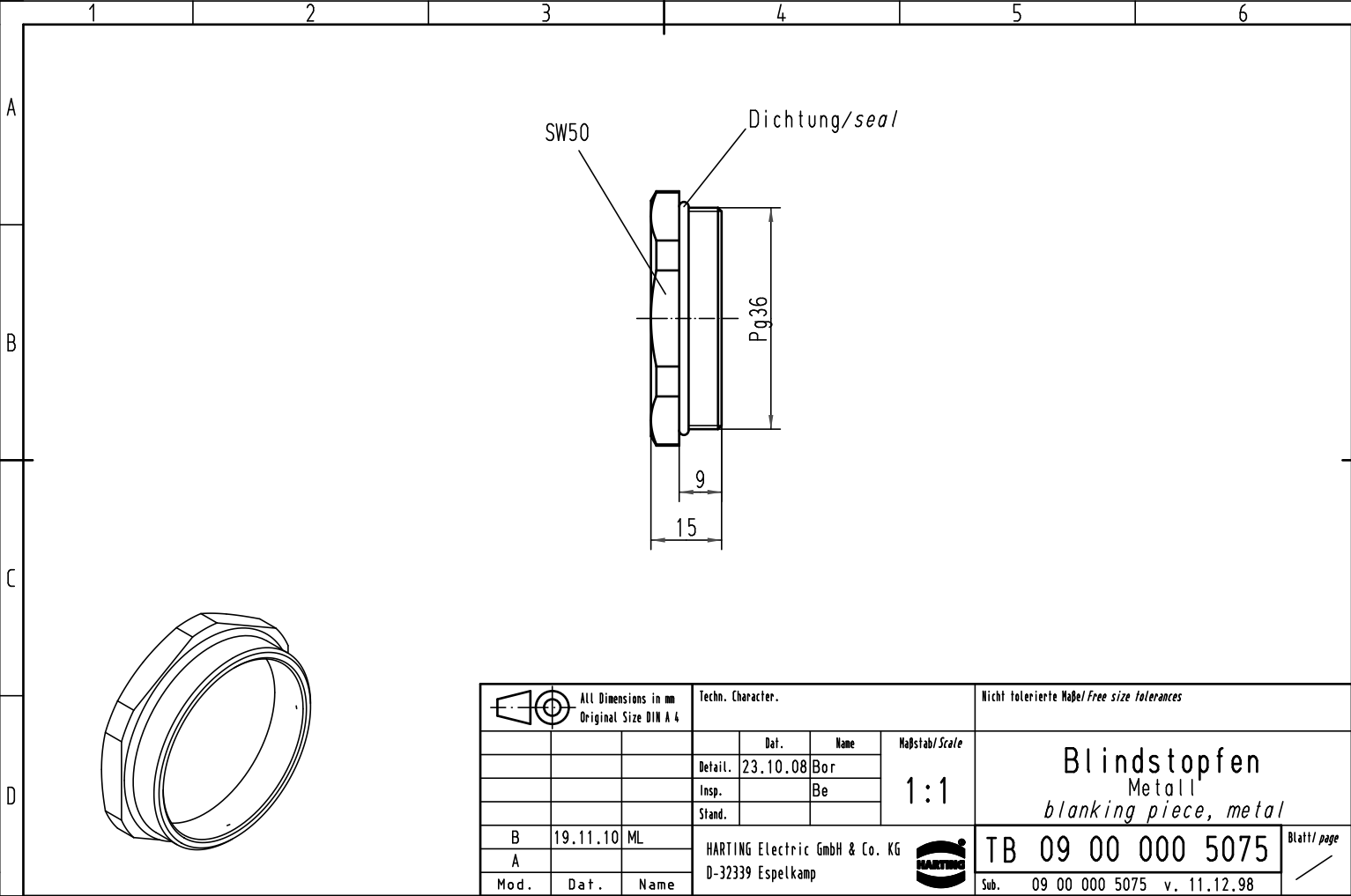
Stocking Distributor



Click to view price, real time Inventory, Delivery & Lifecycle Information:

[Harting](#)  
[09000005075](#)

For any questions, you can email us directly:  
[sales@integrated-circuit.com](mailto:sales@integrated-circuit.com)

Alle Rechte vorbehalten/ All rights reserved



|  |          |                   |   |              |   |   |
|--|----------|-------------------|---|--------------|---|---|
|  All Dimensions in mm<br>Original Size DIN A 4 |          | Techn. Character. |   |              | Nicht tolerierte Maß/Free size tolerances |   |
|  |          |                   | Dat.  | Name         | Maßstab/Scale<br><br><b>1:1</b>           | <b>Blindstopfen</b><br>Metall<br><i>blanking piece, metal</i> |
|  |          |                   | Detail.   | 23.10.08 Bor |   |   |
|  |          |                   | Insp.   | Be           |   |   |
|  |          |                   | Stand.  |              |   |   |
| B  | 19.11.10 | ML                | HARTING Electric GmbH & Co. KG<br>D-32339 Espelkamp                                   |              |   | <b>TB 09 00 000 5075</b>                                      |
| A  |          |                   |  |              |   |   |
| Mod.   | Dat.     | Name              |   |              |   |   |