

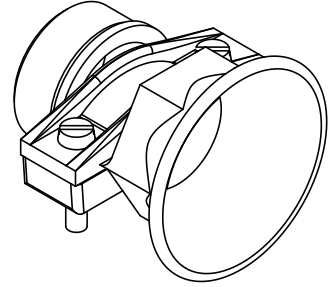
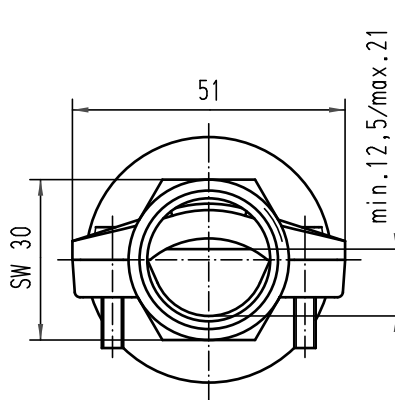
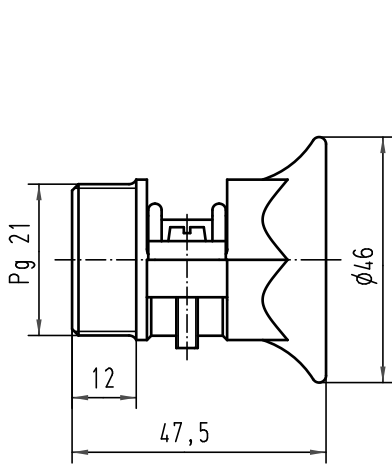
Excellent Integrated System Limited



Stocking Distributor

Click to view price, real time Inventory, Delivery & Lifecycle Information:

[Harting](#)
[09000005168](#)

For any questions, you can email us directly:
sales@integrated-circuit.com



 All Dimensions in mm Original Size DIN A 4		Techn. Character.			Nicht tolerierte Maß/Free size tolerances	
					Maßstab/Scale 1:1	Spezialkabelverschraubung / special cable clamp Kunststoff / thermoplastic
			Dat. 07.01.99 Insp. KR Stand.			
413153	27.08.07	Bor	HARTING Electric GmbH & Co. KG D-32339 Espelkamp			
25449					TB 09 00 000 5168	Blatt/ page
Mod.	Dat.	Name			Sub. TB 09 00 000 51.. Bl. 4/4 v. 05.02.93	