

## Excellent Integrated System Limited

Stocking Distributor

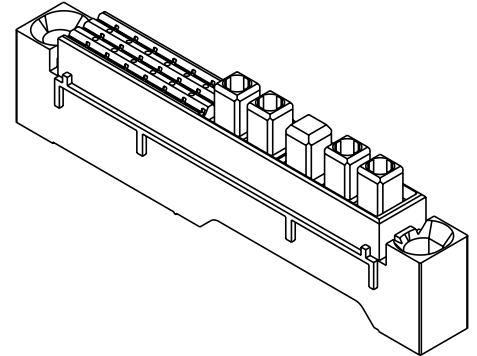
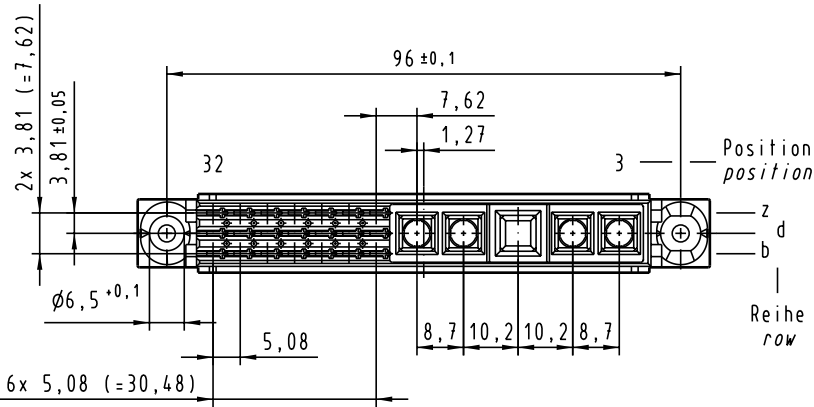
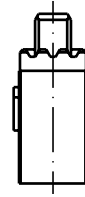
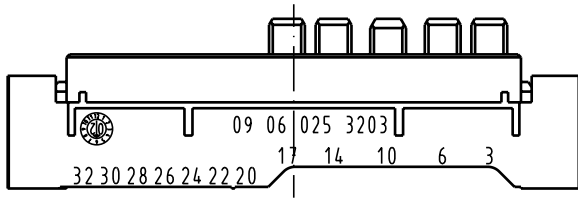
Click to view price, real time Inventory, Delivery & Lifecycle Information:

[Harting](#)

[09060253203](#)

For any questions, you can email us directly:

[sales@integrated-circuit.com](mailto:sales@integrated-circuit.com)



A	All Dimensions in mm Original Size DIN A 4			Techn. Character.			Nicht tolerierte Maß/Free size tolerances siehe /see IEC 60603-2			
				Dat.	Name	Maßstab/Scale	<b>Bauform FC 21 + 4</b> <b>Federträger</b> type FC 21 + 4 female			
				Detail.	03.06.02	Lü.				1 : 1
				Insp.	03.06.02	Lü.				
			Stand.							
	31042			HARTING Electronics GmbH & Co. KG D-32339 ESPELKAMP						
	Mod.	Dat.	Name				TB 09 06 025 3203	Blatt/ page		
							Sub.			