

Excellent Integrated System Limited

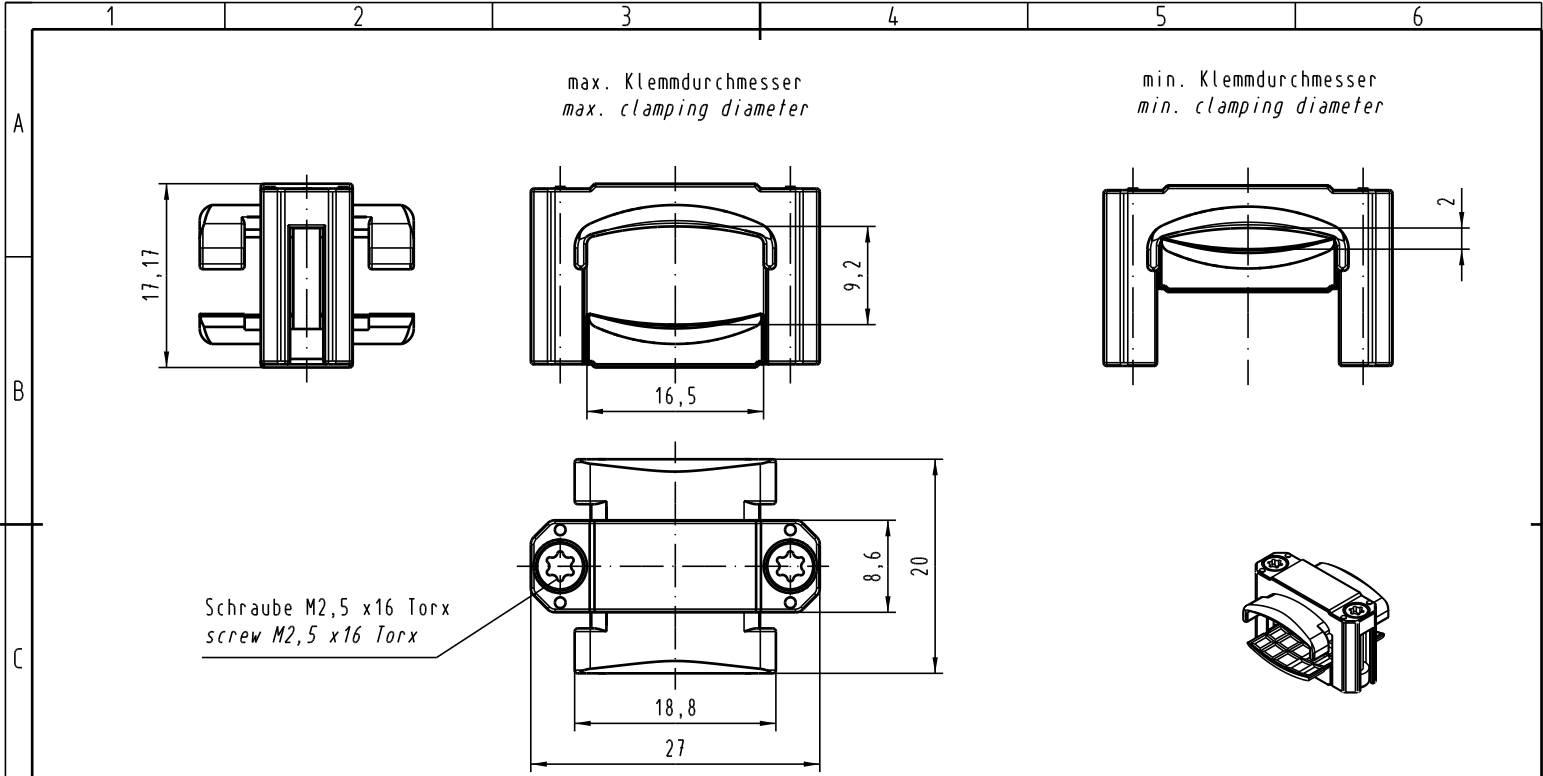
Stocking Distributor

Click to view price, real time Inventory, Delivery & Lifecycle Information:

[Harting](#)
[09068009993](#)

For any questions, you can email us directly:
sales@integrated-circuit.com

Alle Rechte vorbehalten/ All rights reserved



All Dimensions in mm Original Size DIN A 4		Techn. Character.			Nicht tolerierte Maß/Free size tolerances	
			Dat.	Name	Maßstab/Scale 2:1	Kabelklemme breit Metall HF20 cable clamp wide metal HF20
			Detail.	19.07.06 Hage.		
			Insp.	19.07.06 mte		
			Stand.			
33762			HARTING Electronics GmbH & Co. KG D-32339 ESPELKAMP			TB 09 06 800 9993
Mod.	Dat.	Name				