

Excellent Integrated System Limited

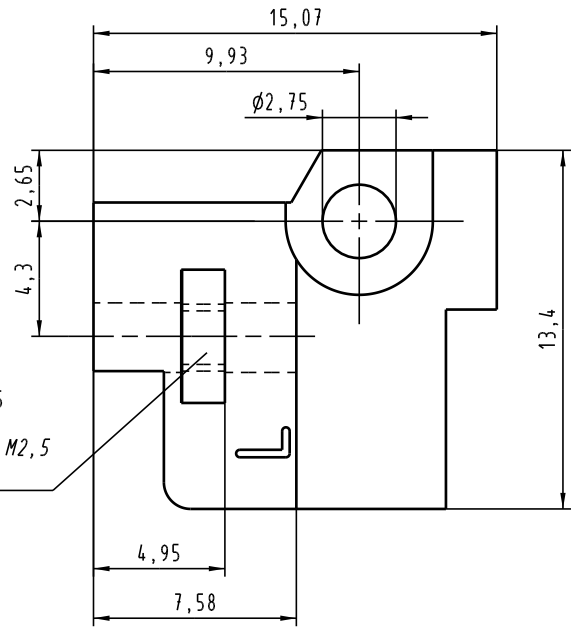
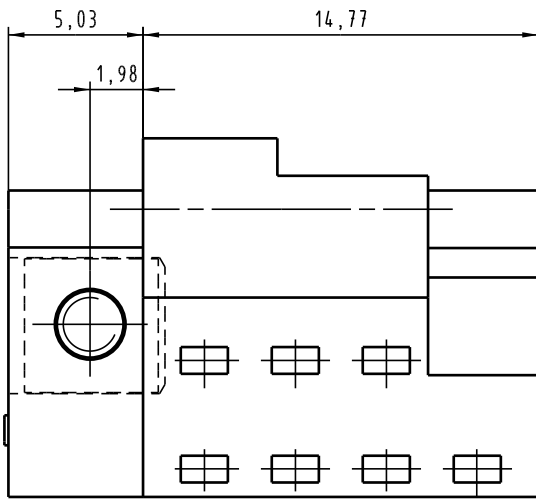
Stocking Distributor

Click to view price, real time Inventory, Delivery & Lifecycle Information:

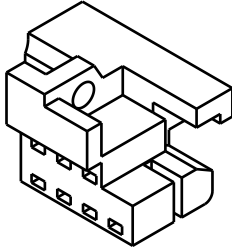
[Harting](#)
[09069009997](#)



For any questions, you can email us directly:
sales@integrated-circuit.com

Alle Rechte vorbehalten/ All rights reserved



4kt-Mutter M2,5
eingepreßt
square end nut M2,5
pressed-in



 All Dimensions in mm Original Size DIN A 4			Techn. Character.			Nicht lotierte Maß/Free size tolerances			
Mod.	Dat.	Name	Dat.	Name	Maßstab/Scale	Rastelement B für Messerleisten mit Codierung links 20mm metallisiert (Oberfläche: Ni) <i>fixing bracket B for male connectors with coding left 20mm metallised (surface: Ni)</i>			
			Detail.	09.08.04 Hage.	5:1			<div style="display: flex; justify-content: space-between;"> TB 09 06 900 9997 Blatt/ page </div>	
			Insp.	09.08.04 Sch.					
			Stand.						
32647	12.07.05	Leh.	HARTING Electronics GmbH & Co. KG			<div style="display: flex; justify-content: space-between;"> TB 09 06 900 9997 Blatt/ page </div>			
32090			D-32339 ESPELKAMP						
Mod.	Dat.	Name				Sub.			