

Excellent Integrated System Limited

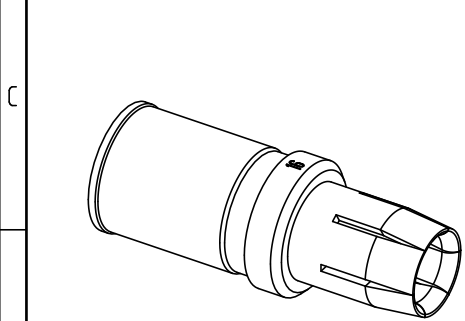
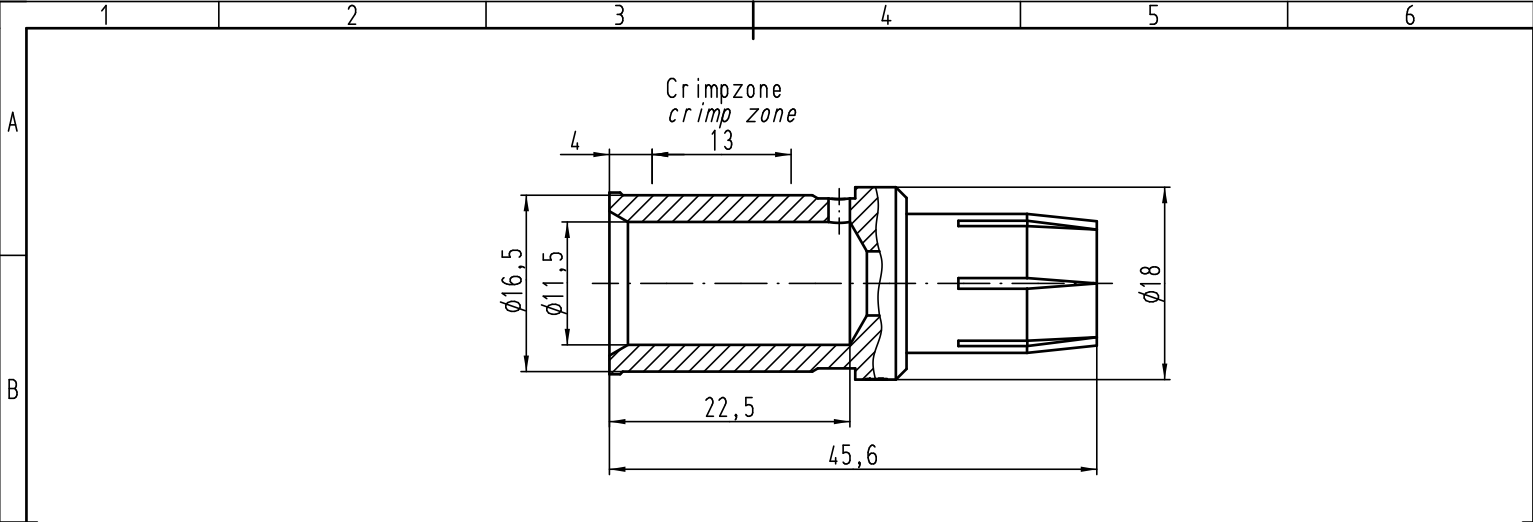
Stocking Distributor

Click to view price, real time Inventory, Delivery & Lifecycle Information:

[Harting](#)
[09110006223](#)

For any questions, you can email us directly:
sales@integrated-circuit.com

Alle Rechte vorbehalten/ All rights reserved



Crimpzone nach DIN EN 46235 / crimp zone acc. to DIN EN 46235
 Kennziffer 16 / indicator 16

Für Litzenleiter feindrähtig nach VDE 0295 Klasse 5 / IEC 60228 Klasse 5
 For stranded fine wire acc. to VDE 0295 class 5 / IEC 60228 class 5

Leiterquerschnitt / wire gauge: 70mm²
 Abisolierlänge / stripping length: 22mm

| | | | | | | | | |
|---|----------|------|---|----------|----|---|--|-------------|
| All Dimensions in mm Original Size DIN A 4 | | | Techn. Character. | | | Nicht tolerierte Maß/Free size tolerances | | |
| | | | | | | 2:1 | Han TC200 Buchsenkontakt Han TC200 female contact versilbert/silver plated | |
| | | | Detail. | 10.02.10 | Ho | | | |
| | | | Insp. | | Rü | | | |
| | | | Stand. | | | | | |
| C | 27.04.12 | gru | HARTING Electric GmbH & Co. KG D-32339 Espelkamp | | | | TB 09 11 000 6223 | |
| B | 01.03.11 | Ho | | | | | | |
| A | | | | | | | | |
| Mod. | Dat. | Name | | | | | | |
| | | | | | | | Sub. | Blatt/ page |