

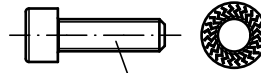
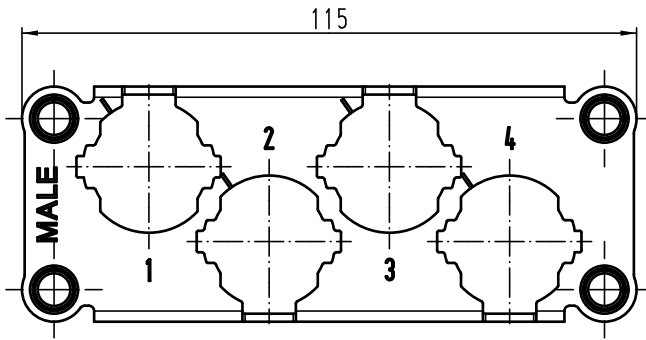
Excellent Integrated System Limited

Stocking Distributor

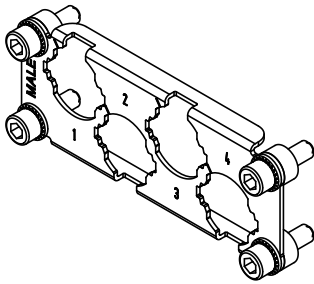
Click to view price, real time Inventory, Delivery & Lifecycle Information:

[Harting](#)
[09110009937](#)

For any questions, you can email us directly:
sales@integrated-circuit.com



Schraube M6x20 für Tüllengehäuse
screw M6x20 for hood



All Dimensions in mm Original Size DIN A 4			Techn. Character.			Nicht tolerierte Maß/Free size tolerances	
			Detail.	20.01.11	Spr	Maßstab/Scale 1:1	HC 250-Halterung enlarged-M 4x HC 250 frame
			Insp.		Ole		
			Stand.				
B	12.07.11	ML	HARTING Electric GmbH & Co. KG			TB 09 11 000 9937	Blatt/ page /
A			D-32339 Espelkamp				
Mod.	Dat.	Name				Sub.	

