

Excellent Integrated System Limited

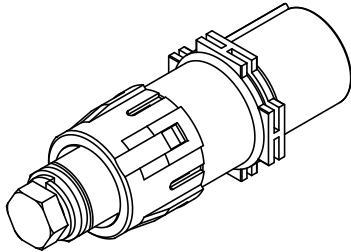
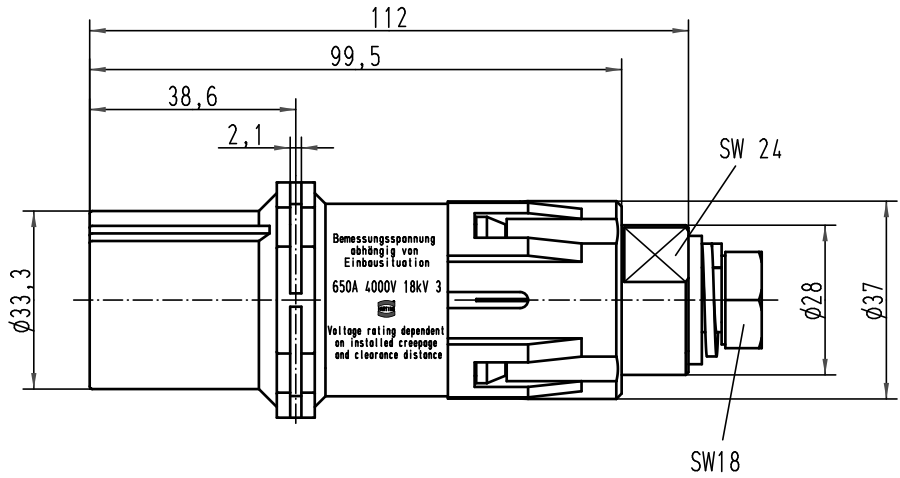
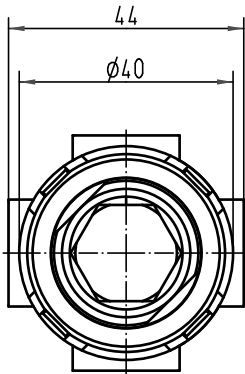
Stocking Distributor

Click to view price, real time Inventory, Delivery & Lifecycle Information:

[Harting](#)
[09110012775](#)

For any questions, you can email us directly:
sales@integrated-circuit.com

Alle Rechte vorbehalten/ All rights reserved



All Dimensions in mm Original Size DIN A 4			Techn. Character.			Nicht tolerierte Maß/Free size tolerances		
						Maßstab/Scale 1:1	Han 1HC-bu-s-M12 650A Buchsenträger, schraub female insert, screw	
			Detail.	01.06.99	Gö			
			Insp.		OLE			
414049	30.07.08	Rull	Stand.					
413153	27.08.07	Bor						
26109								
Mod.	Dat.	Name	HARTING Electric GmbH & Co. KG D-32339 Espelkamp					TB 09 11 001 2775
							Sub.	Blatt/ page