

Excellent Integrated System Limited

Stocking Distributor

Click to view price, real time Inventory, Delivery & Lifecycle Information:

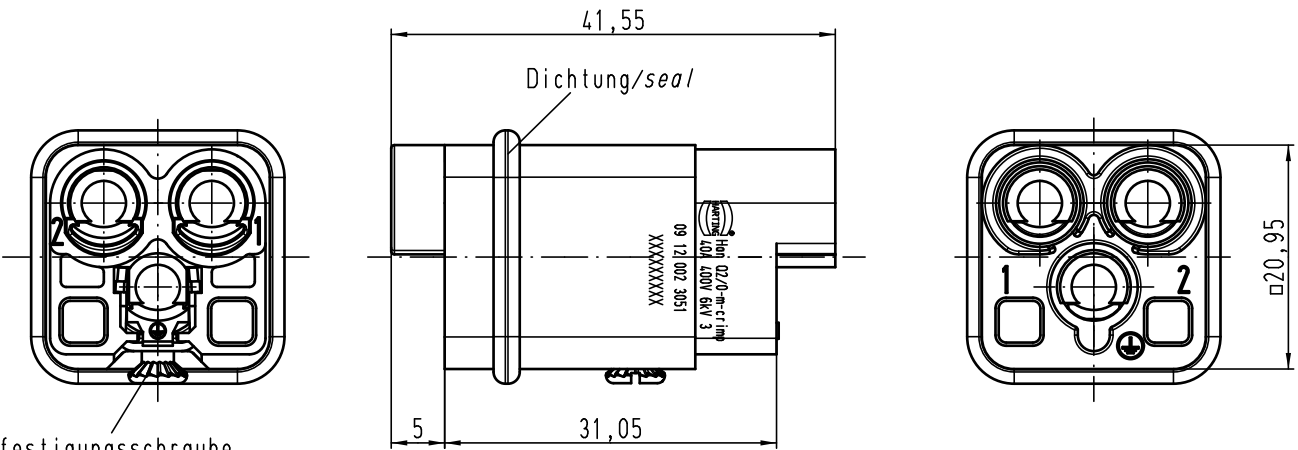
[Harting](#)

[09120023051](#)

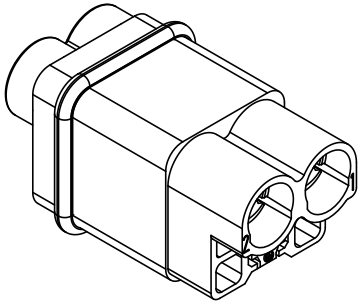
For any questions, you can email us directly:

sales@integrated-circuit.com

Alle Rechte vorbehalten/ All rights reserved



Befestigungsschraube
lose beigelegt
insert fixing screw
is enclosed



All Dimensions in mm Original Size DIN A 4			Techn. Character.			Nicht tolerierte Maße/Free size tolerances	
			Detail.	16.03.11	Spr	2:1	Han Q2/0-m-crimp
			Insp.		Grie		
			Stand.				
A			HARTING Electric GmbH & Co. KG			TB 09 12 002 3051	Blatt/ page
Mod.	Dat.	Name	D-32339 Espelkamp				

