

## Excellent Integrated System Limited

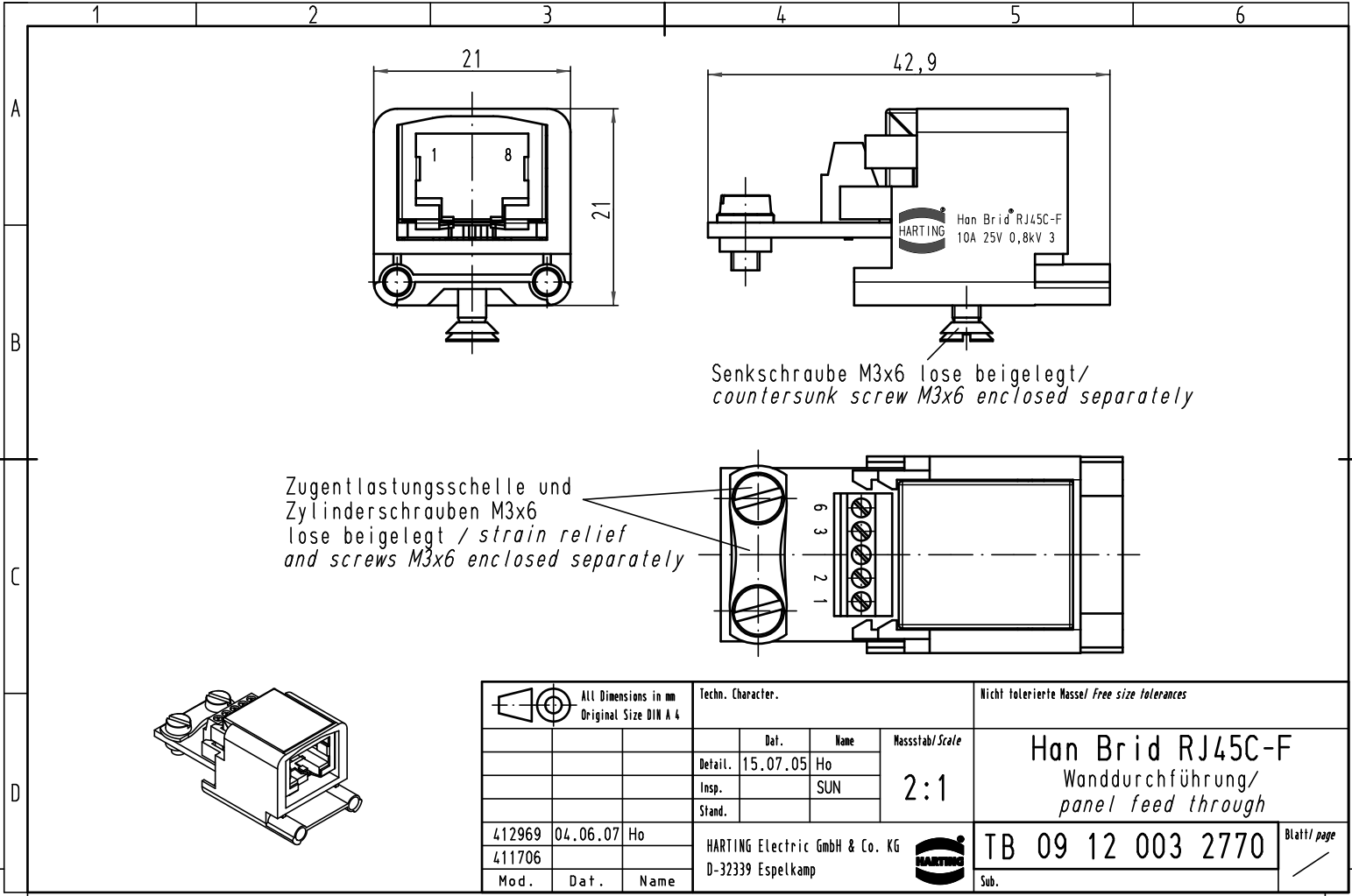
Stocking Distributor

Click to view price, real time Inventory, Delivery & Lifecycle Information:

[Harting](#)  
[09120032770](#)

For any questions, you can email us directly:  
[sales@integrated-circuit.com](mailto:sales@integrated-circuit.com)

Alle Rechte vorbehalten/ All rights reserved



All Dimensions in mm Original Size DIN A 4			Techn. Character.			Nicht tolerierte Masse/ Free size tolerances		
						<b>Han Brid RJ45C-F</b> Wanddurchführung/ panel feed through		
			Detail.	15.07.05	Ho			2:1
			Insp.		SUN			
			Stand.					
412969	04.06.07	Ho	HARTING Electric GmbH & Co. KG			<b>TB 09 12 003 2770</b>	Blatt/ page	
411706			D-32339 Espelkamp					
Mod.	Dat.	Name				Sub.		